



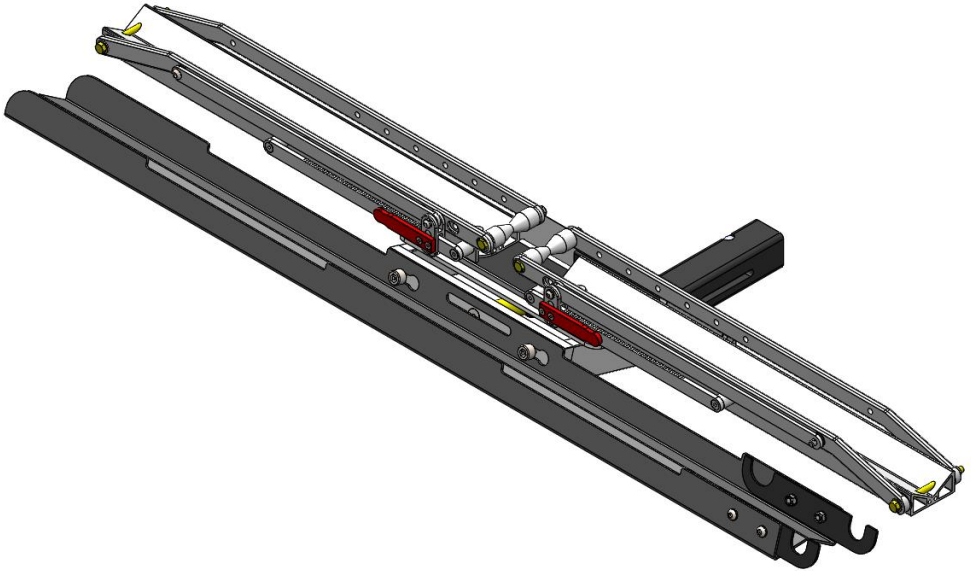
## V Style Ramp - Quik Rack

### In the Box:

- (1) – Ramp
- (2) – Ramp Hooks
- (4) – 5/16-18 x .75" Button Head
- (10) – .562" OD x .062 Thick Metal FW
- (2) – Security Bolts
- (1) – 5/16-18 x 5" Hex Bolt
- (2) – 1" OD x .312" x .25" Thick Black Plastic Spacer
- (5) – 5/16-18 Jam Nylock Nut
- (1) – Quick Release Pin

### Tools Required:

- Security Wrench
- 1/2" Wrench
- 3/16" Allen Wrench

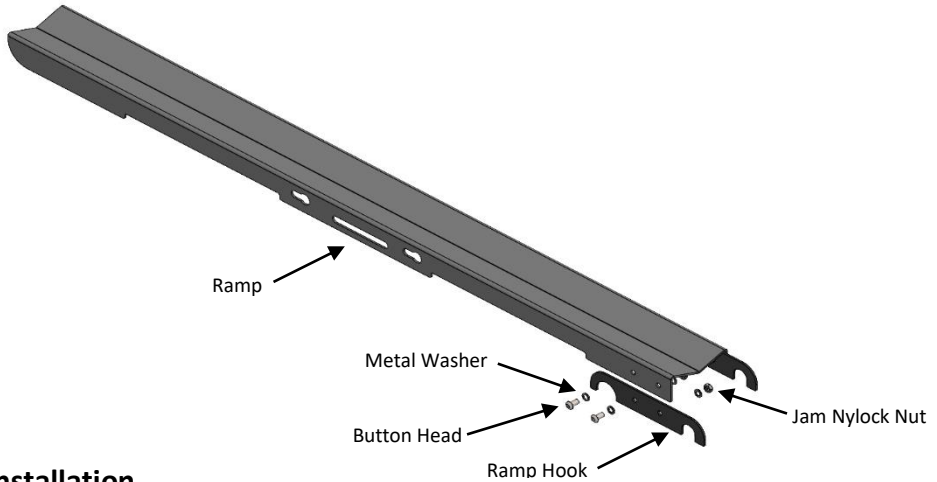


### Product Notes:

- Compatible with Quik Rack, Heavy Duty, and Super Duty Racks.
- Unit can install on driver or passenger side tray.
- Security Wrench required for assembly.

## Assembly

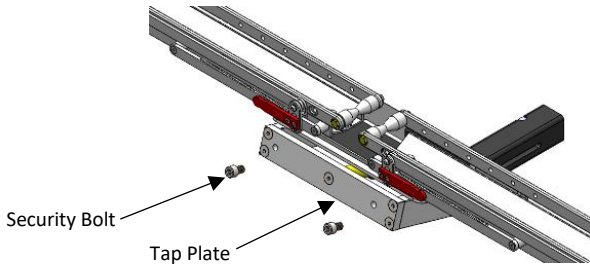
1. Slide Metal Washer onto Button Head.
2. Insert Button Head through Ramp and Ramp Hook. (Ramp Hook to be on inside of Ramp.)
3. Install Metal Washer and Jam Nylock Nut onto Button Head. Use 3/16" Allen Wrench and 1/2" wrench to tighten.
4. Repeat steps 1-3 for remaining holes.



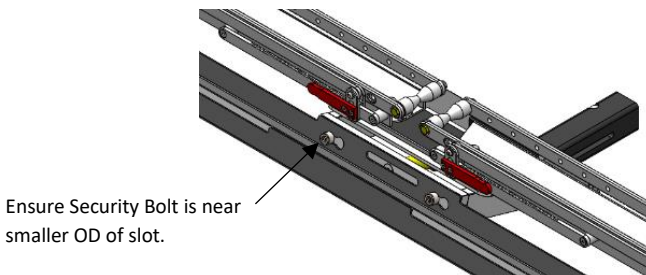
## Installation

### Step 1

Start Security Bolts in Tap Plate threaded holes.

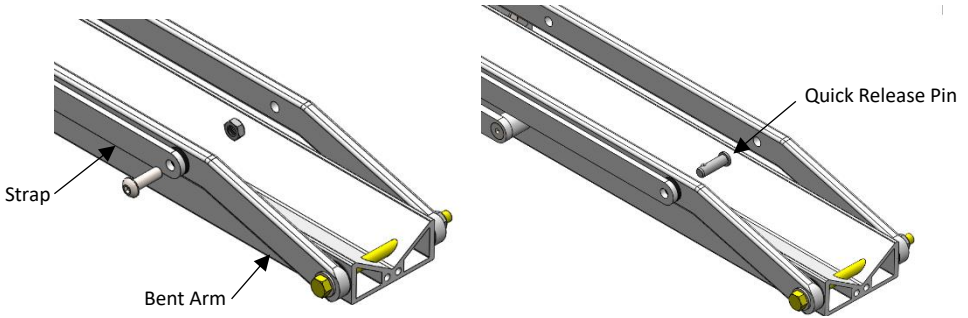


Place V Style Ramp onto base rack by aligning keyhole slots with Security Bolts. Tighten Security Bolts.



## Step 2

Use 3/16" Allen Wrench and 1/2" Wrench to remove nut and bolt holding Strap to Bent Arm.

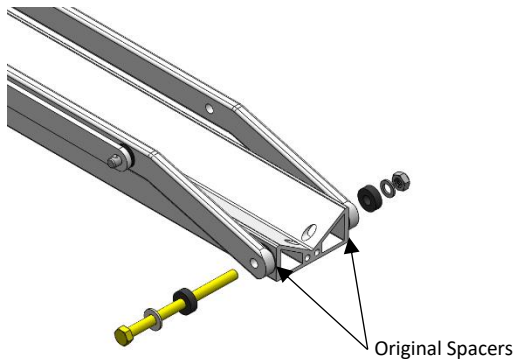


Install Quick Release Pin through Bent Arm, Spacer, and Strap.

## Step 3

Remove 5/16-18 x 4.5" Hex Bolt from end of Tray. Install provided hardware in sequence shown below.

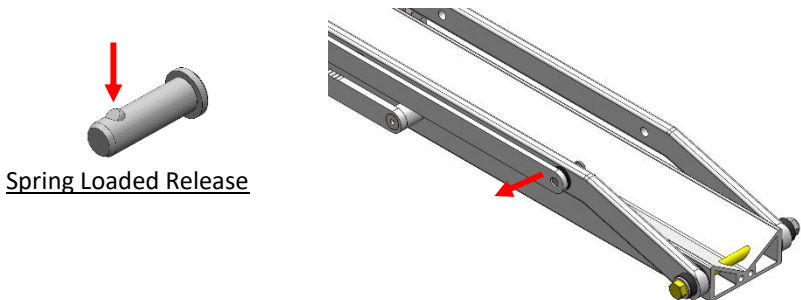
**Note: Omit Step 3 for bike spots with fat tire spacer kits installed. (Ramp clips onto fat tire spacers.)**



## Loading Ramp

### Step 1

Depress spring loaded release on Quick Release Pin and remove Strap from Pin. Pin will remain in bent arm.



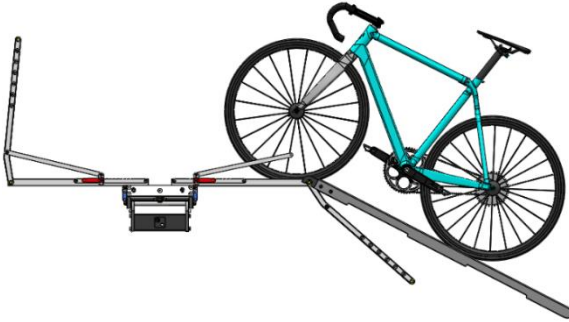
## Step 2

Rotate Bent Arms so Spool is near ground. Ramp clips onto Plastic Spacers installed earlier (Step 3 - Installation).



## Step 3

Roll Bike up V Style Ramp and onto Rack Trays. Use Bent Arm, opposite of ramp, to stabilize bike while loading.



## Step 4

Remove Ramp and install onto Tap Plate. Reinstall Strap and Quick Release Pin. Pivot bent arms into tires firmly to secure bike.



## Additional Instructions

- Remove road debris off nuts and bolts to prevent corrosion.
- Inspect hardware on Accessory periodically to ensure proper working conditions.
- Certain car wash chemicals may damage Accessory finish. Please use caution when cleaning vehicle and/or Accessory.

Questions or comments? Contact our support team via email at [email@1up-usa.com](mailto:email@1up-usa.com)