



V Style Ramp - Equip-D

In the Box:

- (1) – Ramp
- (2) – Ramp Hooks
- (4) – 5/16-18 x .75" Button Head
- (8) - .562" OD x .062 Thick Metal FW
- (4) – 5/16-18 Jam Nylock Nut
- (1) – Quick Release Pin
- (1) – Equip-D Mount
- (1) – Security Wrench

Tools Required:

- Security Wrench
- 1/2" Wrench
- 3/16" Allen Wrench
- Multitool

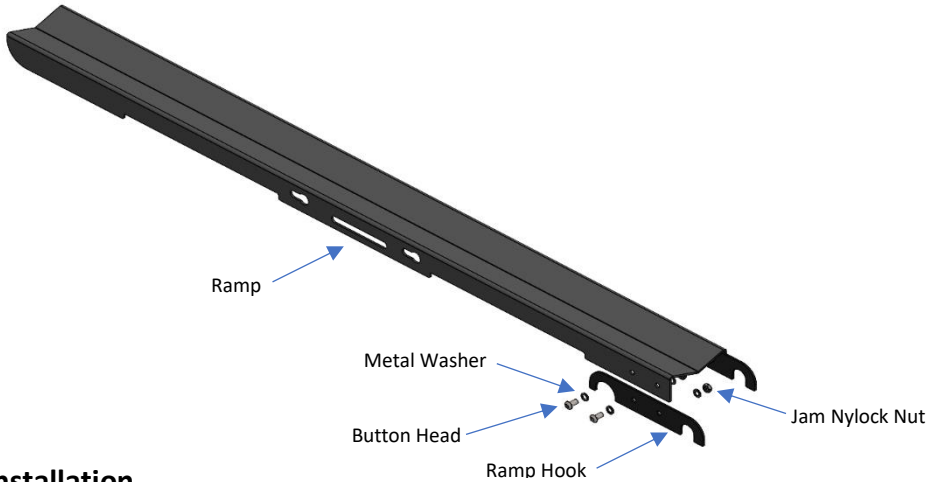


Product Notes:

- Compatible with Equip-D Racks.
- Unit can install on driver or passenger side tray.
- Security Wrench required for assembly.

Assembly

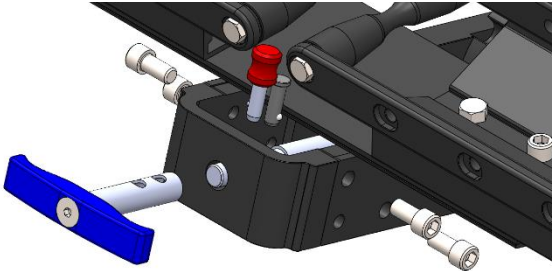
1. Slide Metal Washer onto Button Head.
2. Insert Button Head through Ramp and Ramp Hook. (See image below for part orientation.)
3. Install Metal Washer and Jam Nylock Nut onto Button Head. Use 3/16" Allen Wrench and 1/2" wrench to tighten.
4. Repeat steps 1-3 for remaining holes.



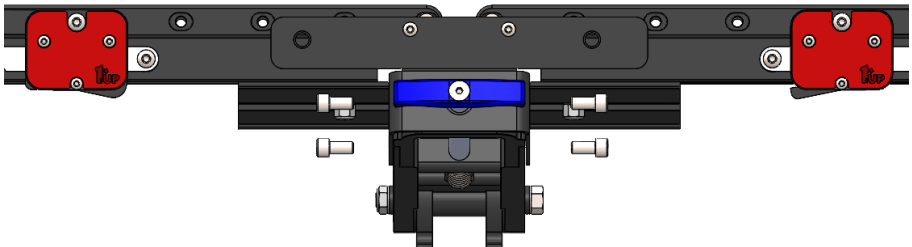
Installation

Step 1

Remove Detent Pins and Handle. Use Multitool to remove all four Socket Head Screws from Endcap.

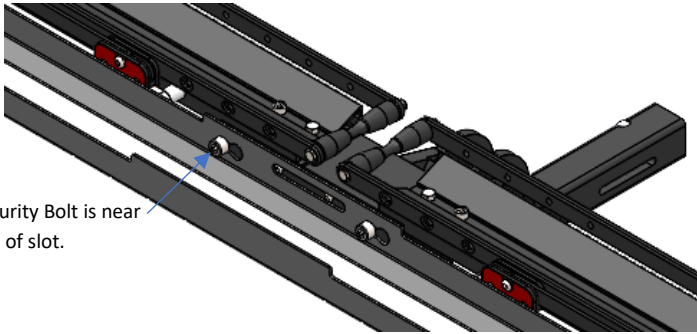


Align holes of Equip-D Mount with holes of Endcap. Reinstall Socket Head Screws to secure Equip-D Mount to rack. Tighten firmly. Reinstall Handle and Detent Pins.



Step 2

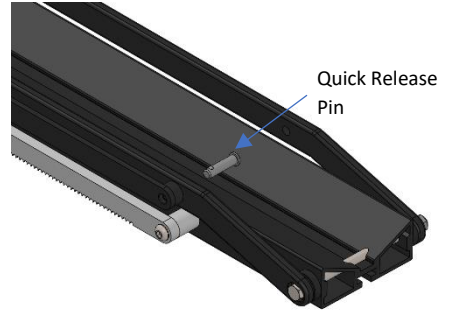
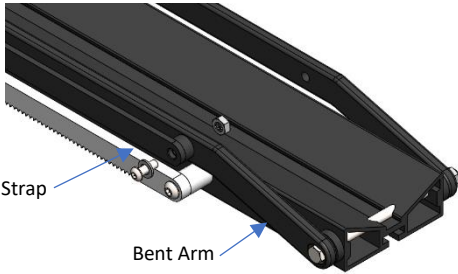
Place V Style Ramp onto rack by aligning keyhole slots with Security Bolts. Tighten Security Bolts.



Ensure Security Bolt is near smaller OD of slot.

Step 3

Use 3/16" Allen Wrench and 1/2" Wrench to remove nut and bolt holding Strap to Bent Arm.

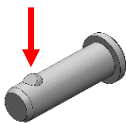


Install Quick Release Pin through Bent Arm, Spacer, and Strap.

Loading Ramp

Step 1

Depress spring loaded release on Quick Release Pin and remove Strap from Pin. Pin will remain in bent arm.



Spring Loaded Release



Step 2

Rotate Bent Arms so Spool is near ground. Ramp clips onto Plastic Spacers.



Step 3

Roll Bike up V Style Ramp and onto Rack Trays. Use Bent Arm, opposite of ramp, to stabilize bike while loading.



Step 4

Remove Ramp and install onto Equip-D Mount. Reinstall Quick Release Pin. Pivot bent arms into tires firmly to secure bike.



Additional Instructions

- Remove road debris off nuts and bolts to prevent corrosion.
- Inspect hardware on Accessory periodically to ensure proper working conditions.
- Certain car wash chemicals may damage Accessory finish. Please use caution when cleaning vehicle and/or Accessory.

Questions or comments? Contact our support team via email at email@1up-usa.com