



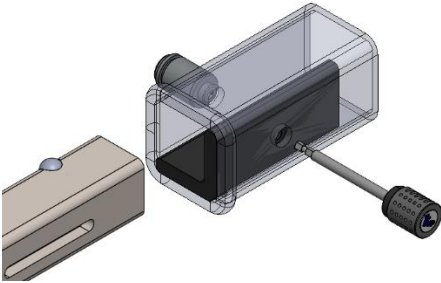
2.5" Hitch Adapter

In the Box:

- 2.5" Hitch Adapter
- 3/8-16 x 1/2" SHCS SS 18-8

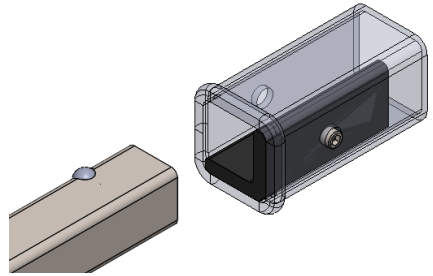
Tools Required:

- 5/16" Allen Wrench (Not Included)



For racks with slotted hitch bar follow installation instructions below.

- Remove 3/8-16 x 1/2" SHCS from 2.5" Hitch Adapter. (3/8-16 x 1/2" SHCS not required.)
- Insert 2.5" Hitch Adapter into receiver, through hole to be on vertical leg. (See picture above for part orientation.)
- Align through hole of 2.5" Hitch Adapter with hole on side of receiver.
- Insert rack into receiver to desired location.
- After inserting rack, ensure 2.5" Hitch Adapter did not move. Tighten security bolt on rack.
- Insert 1/4 turn lock through hole on side of receiver locking rack to vehicle.



For racks without slotted hitch bar follow installation instructions below.

- Remove 3/8-16 x 1/2" SHCS from 2.5" Hitch Adapter.
- Insert 2.5" Hitch Adapter into receiver, tapped hole to be on vertical leg. (See picture above for part orientation.)
- Align Tapped hole of 2.5" Hitch Adapter with hole on side of receiver.
- Thread 3/8-16 x 1/2" SHCS into tapped hole of 2.5" Hitch Adapter.
- Insert rack into receiver to desired location. Tighten security bolt on rack.

Additional Instructions

- Use **caution** while taking steps to install 2.5" Hitch Adapter.
- Inspect 2.5" Hitch Adapter periodically to ensure proper working conditions.



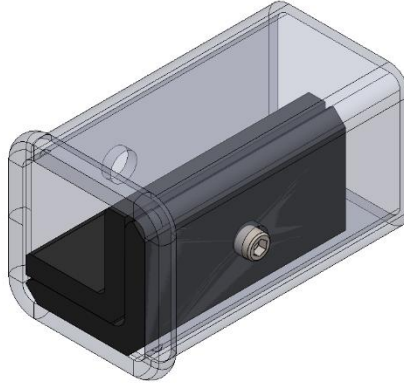
3" Hitch Adapter

In the Box:

- 3" Hitch Adapter
- 3/8-16 x 1/2" SHCS SS 18-8

Tools Required:

- 5/16" Allen Wrench (Not Included)



Installation

- Remove 3/8-16 x 1/2" SHCS from 3" Hitch Adapter.
- Insert 3" Hitch Adapter into receiver, tapped hole to be on vertical leg. (See picture above for part orientation.)
- Align Tapped hole of 3" Hitch Adapter with hole on side of receiver.
- Thread 3/8-16 SHCS into tapped hole of 3" Hitch Adapter.
- Insert rack into receiver to desired location. Tighten security bolt on rack.

Additional Instructions

- Use **caution** while taking steps to install 3" Hitch Adapter.
- Inspect 3" Hitch Adapter periodically to ensure proper working conditions.

Questions or comments? Contact our support team via email at email@1up-usa.com