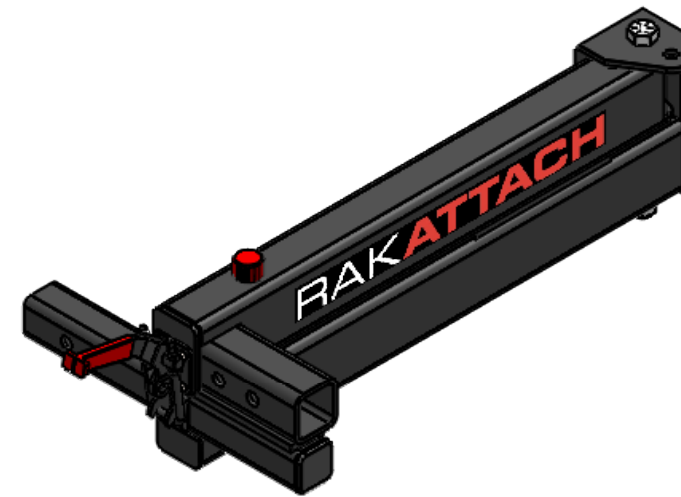
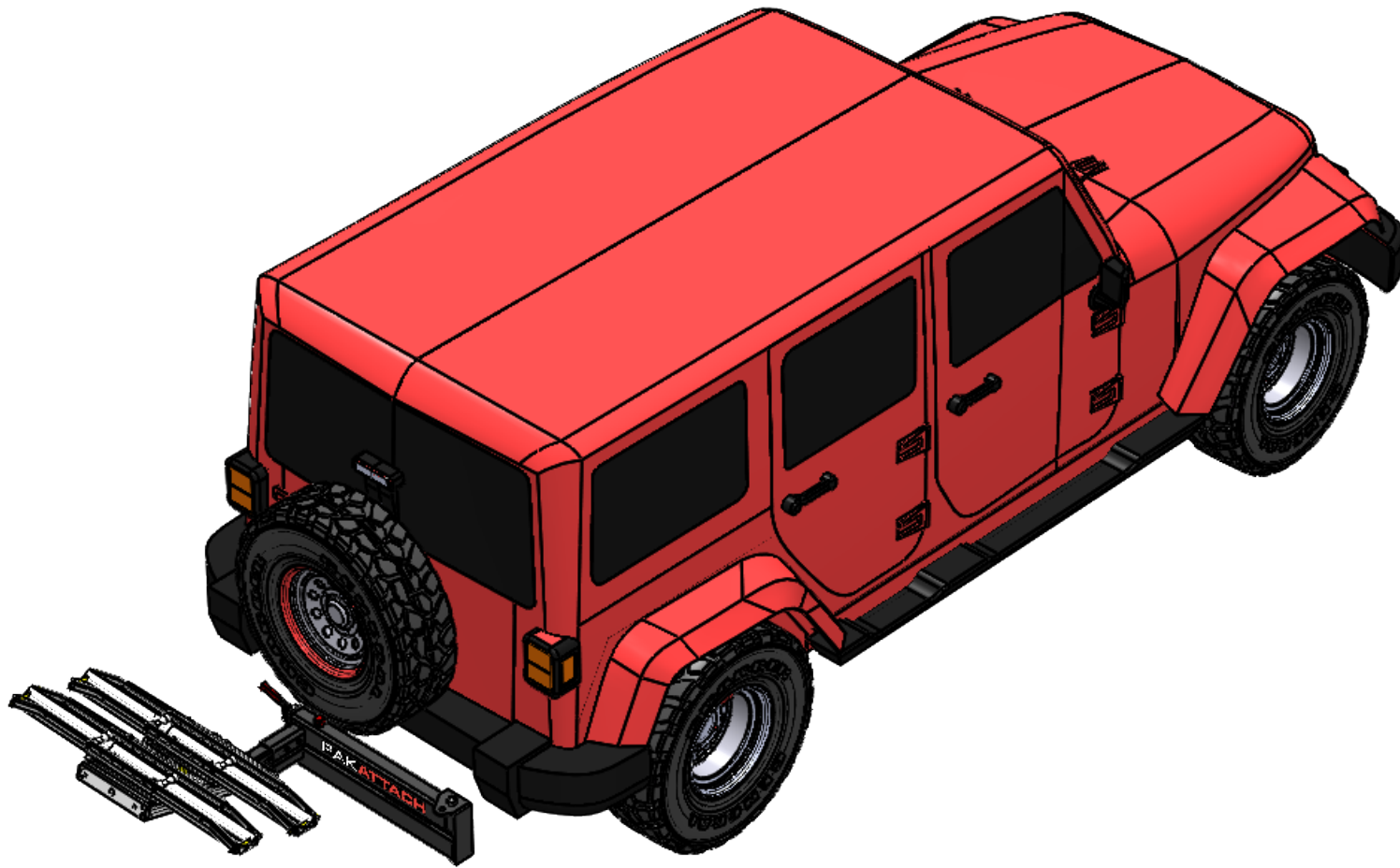
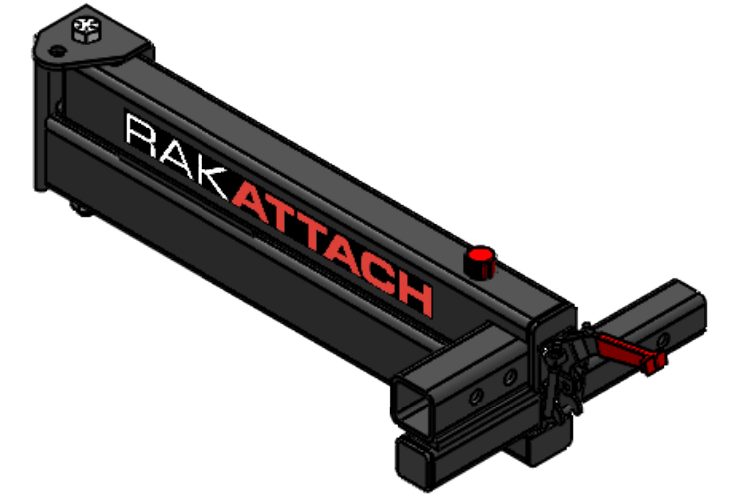


RAKATTACH MODEL CONFIGURATIONS



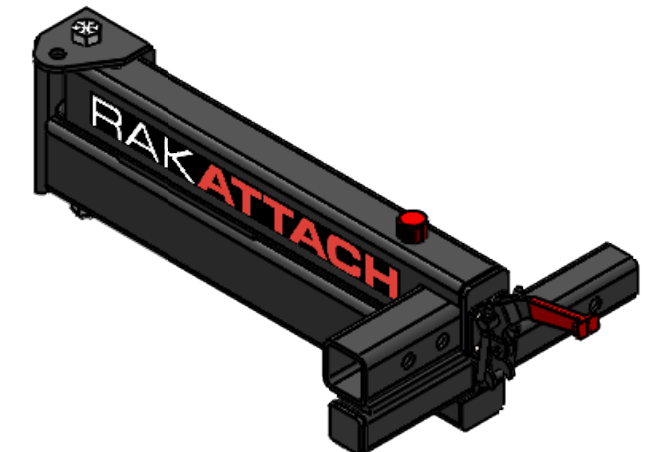
LARGE PASSENGER SIDE



LARGE DRIVER SIDE



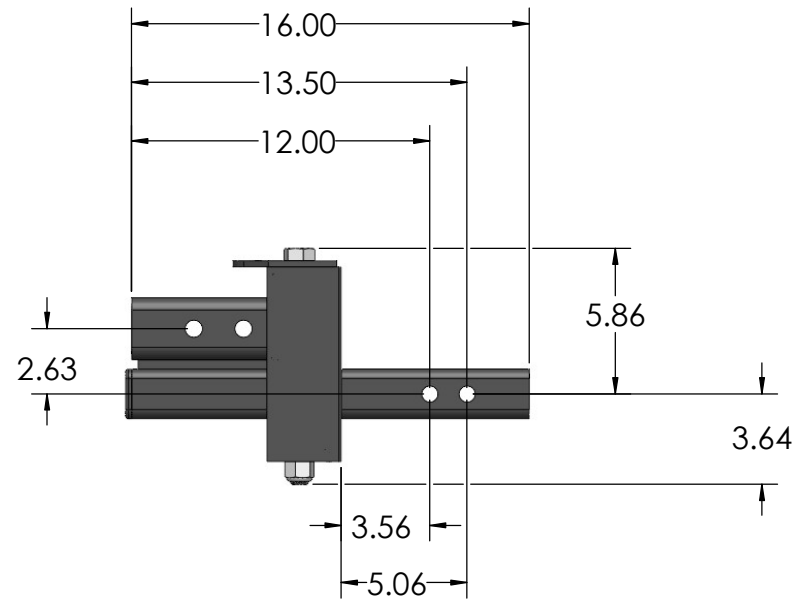
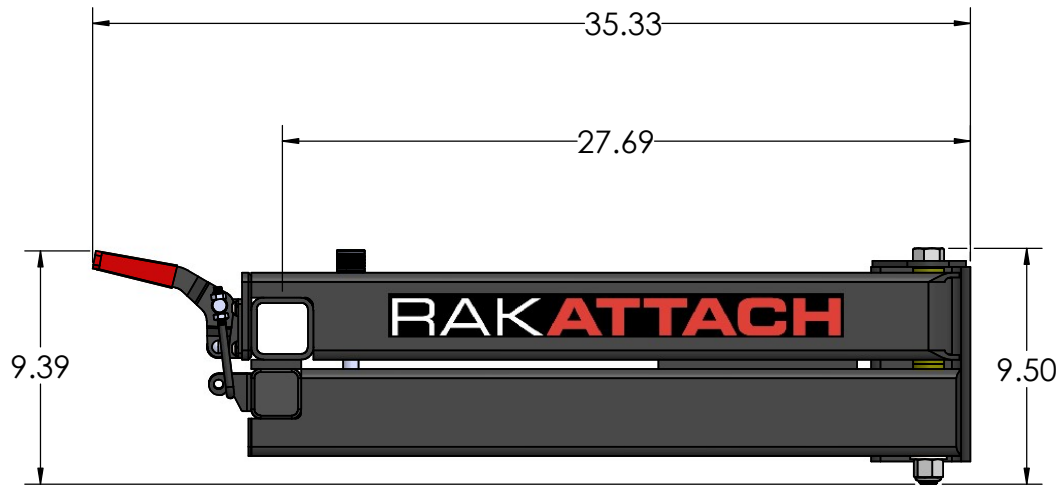
MEDIUM PASSENGER SIDE



MEDIUM DRIVER SIDE

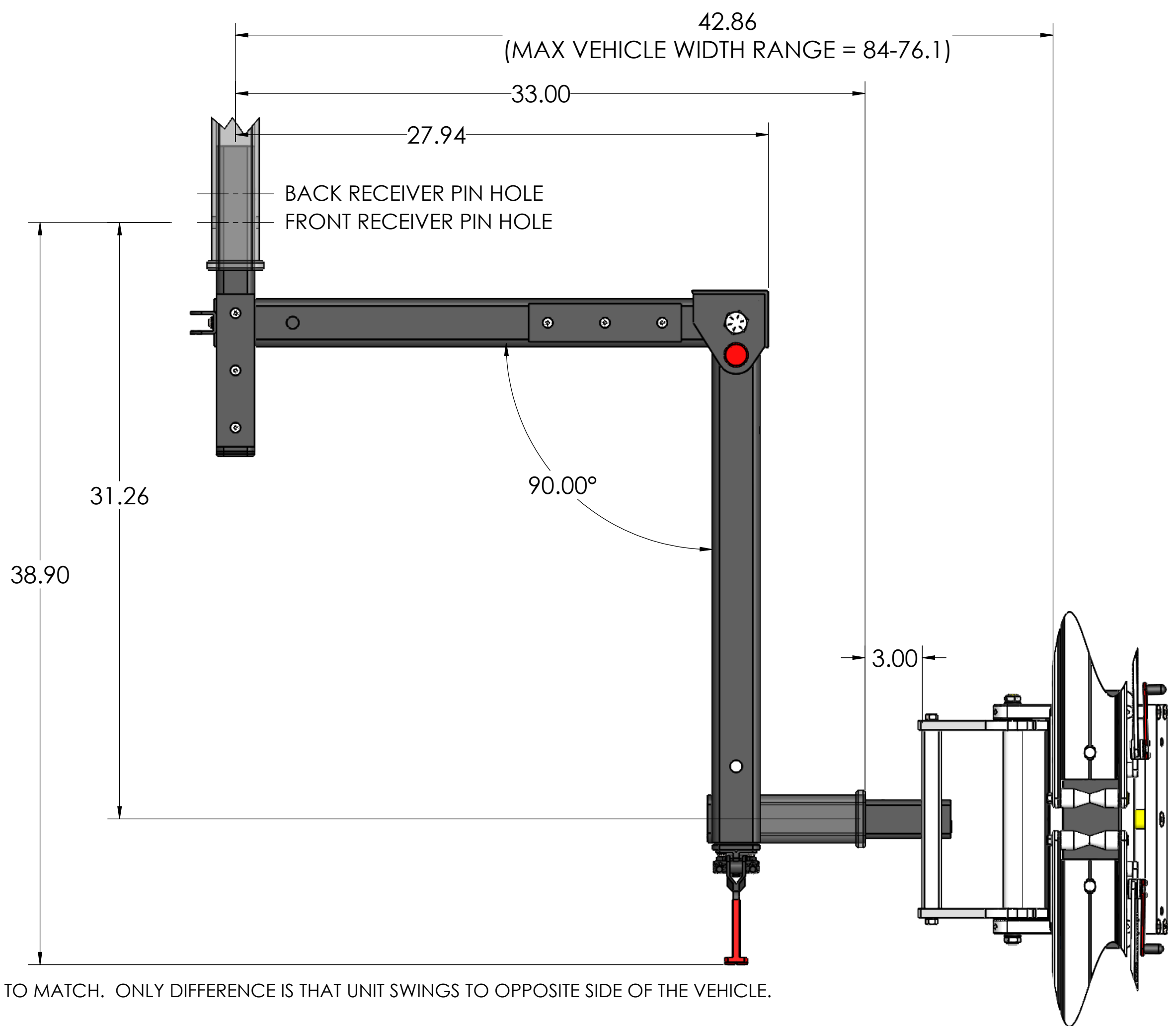
RAKATTACH FITMENT DRAWING

NOTE: PASSENGER/DRIVER DENOTE DIRECTION UNIT WILL SWING ON VEHICLE.



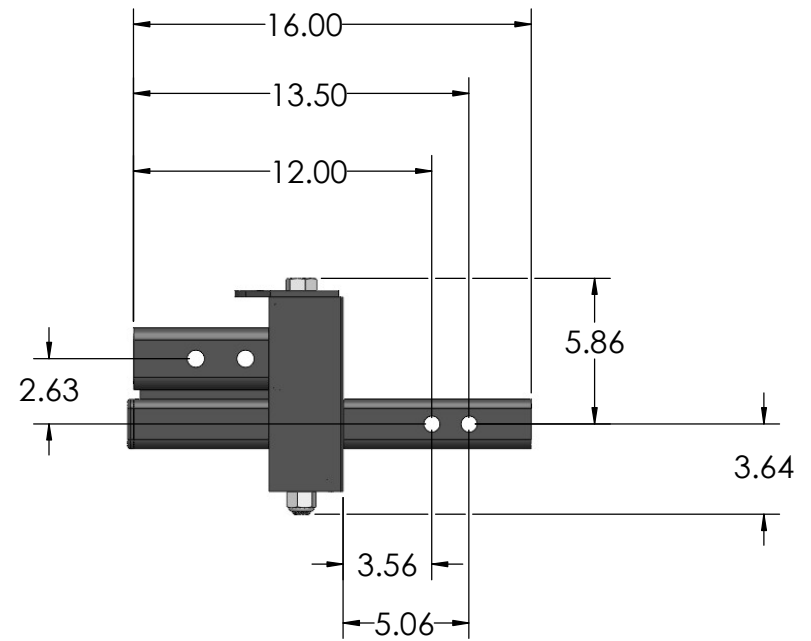
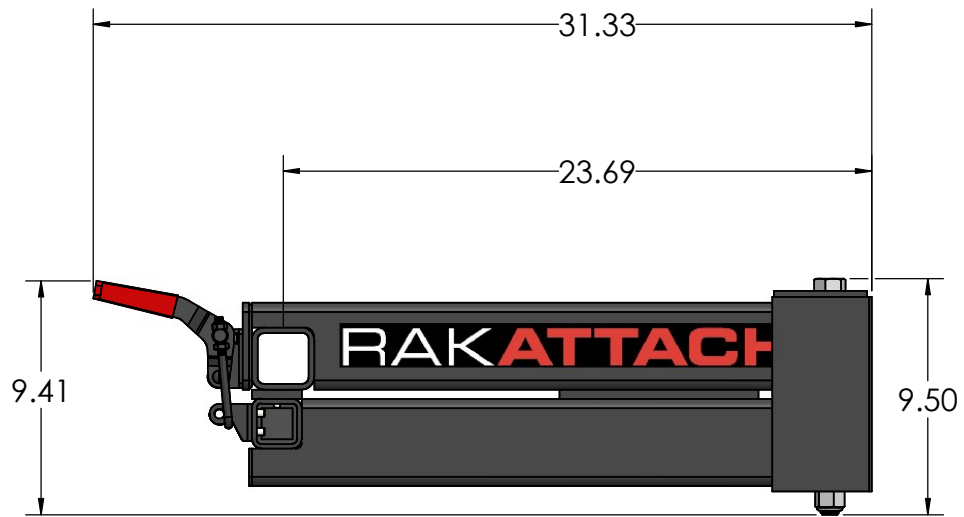
LARGE PASSENGER SIDE

LARGE DRIVER SIDE DIMENSIONS TO MATCH. ONLY DIFFERENCE IS THAT UNIT SWINGS TO OPPOSITE SIDE OF THE VEHICLE.
ALL DIMENSIONS IN INCHES.



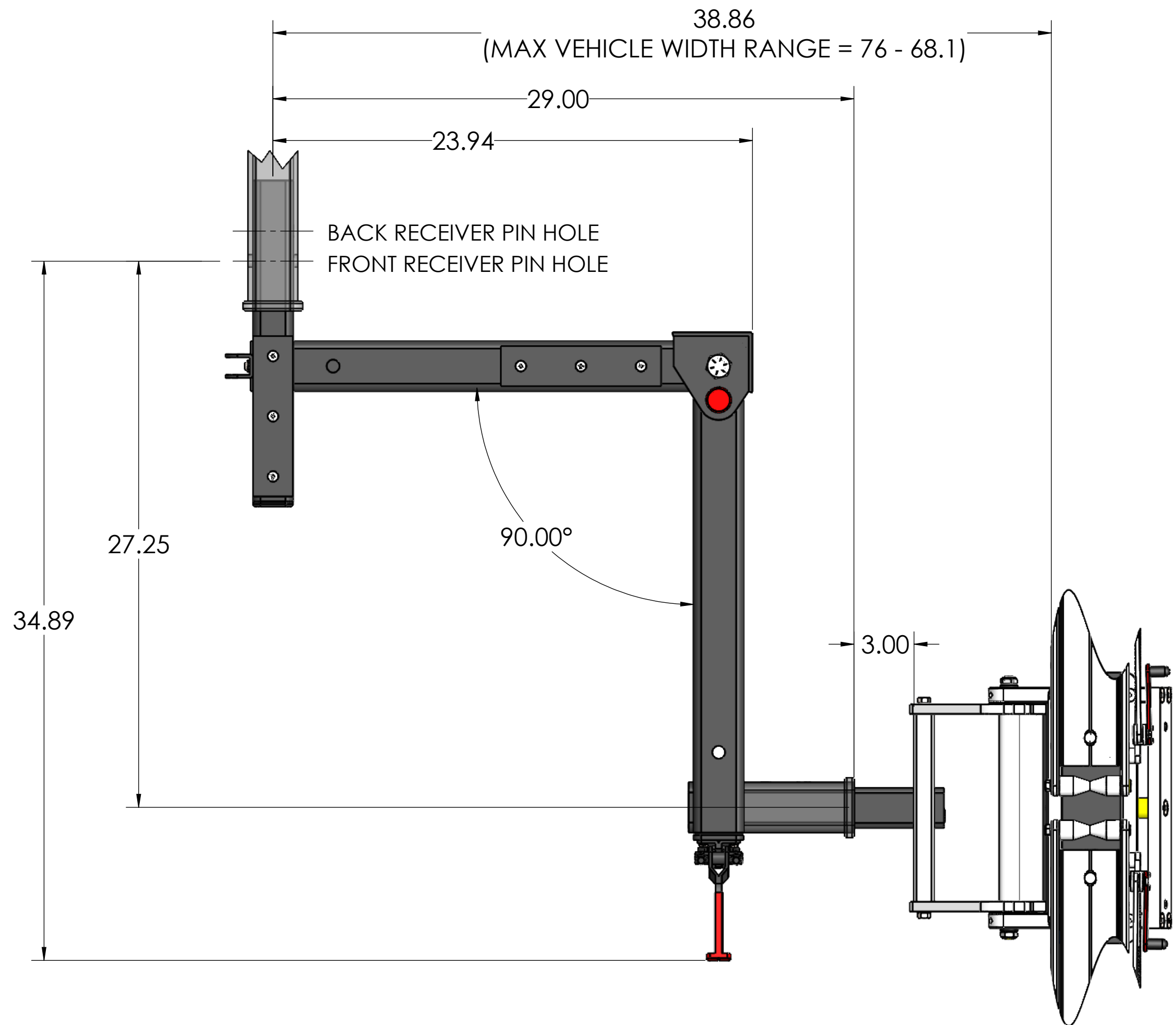
LARGE PASSENGER SIDE

LARGE DRIVER SIDE DIMENSIONS TO MATCH. ONLY DIFFERENCE IS THAT UNIT SWINGS TO OPPOSITE SIDE OF THE VEHICLE.
ALL DIMENSIONS IN INCHES.



MEDIUM PASSENGER SIDE

MEDIUM DRIVER SIDE DIMENSIONS TO MATCH. ONLY DIFFERENCE IS THAT UNIT SWINGS TO OPPOSITE SIDE OF THE VEHICLE.
ALL DIMENSIONS IN INCHES.



MEDIUM PASSENGER SIDE

MEDIUM DRIVER SIDE DIMENSIONS TO MATCH. ONLY DIFFERENCE IS THAT UNIT SWINGS TO OPPOSITE SIDE OF THE VEHICLE.
ALL DIMENSIONS IN INCHES.