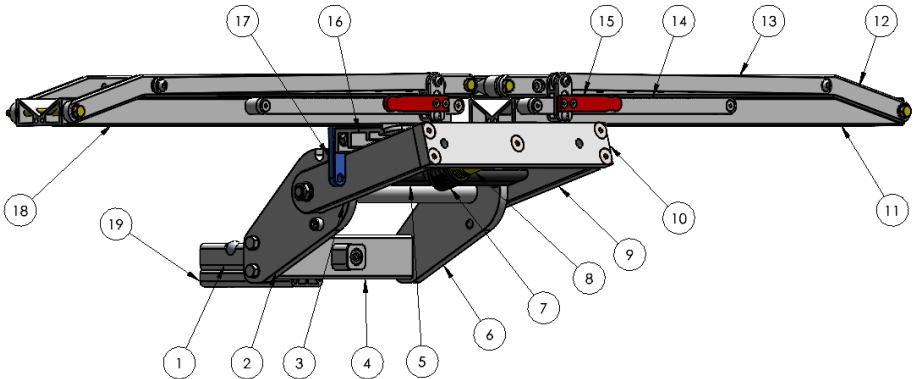




1.25" - 2" QUIK RACK SINGLE

Parts List:

- | | |
|---------------------------|-------------------------|
| 1) 1.25" Hitch | 11) Passenger Side Tray |
| 2) Left 1.25" Side Plate | 12) Bent Arm |
| 3) Left Pivot Beam | 13) 19" Strap |
| 4) Cross Bar | 14) Glide Bar |
| 5) Black Bar | 15) Red Lever |
| 6) Right 1.25" Side Plate | 16) 15° Plate |
| 7) Gold Bar Knob | 17) Blue Lever |
| 8) Gold Bar | 18) Driver Side Tray |
| 9) Right Pivot Beam | 19) 2" Hitch Adapter |
| 10) Tap Plate | |



In the Box:

- 1UP USA 1.25" Quik Rack
- (2) Security Wrench
- Velcro Strap
- Hitch Bar Lock
- Black ¼" Hex Wrench

Product Notes:

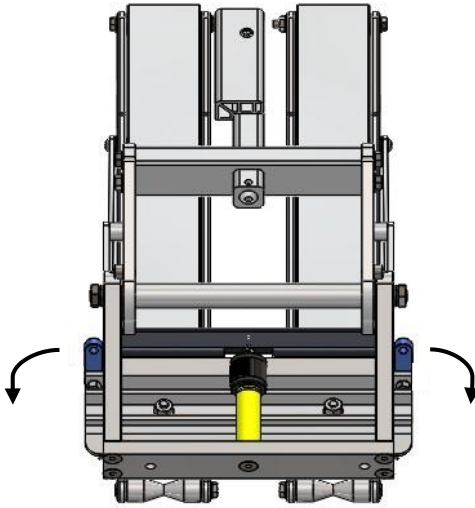
- Fits 16"-29" wheels, up to 3.1" wide. For wider tires, use a Fat Bike Spacer Kit (sold separately).
- Rated to hold a bike up to 50 lb per bike spot.
- With addition of two Add-Ons (sold separately), this rack can hold a maximum of three bikes.

Step 1:

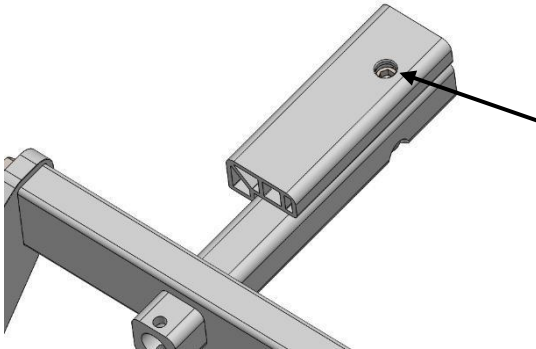
- Remove Rack from box.
- Unfold Hitch parallel with Trays.
- Remove all cardboard supports.
- Remove plastic wrap around Hitch.

Step 2:

- Position Rack with Hitch Bar facing upwards and place on a stable nonabrasive surface.
- Rotate Blue Levers outward 90°.

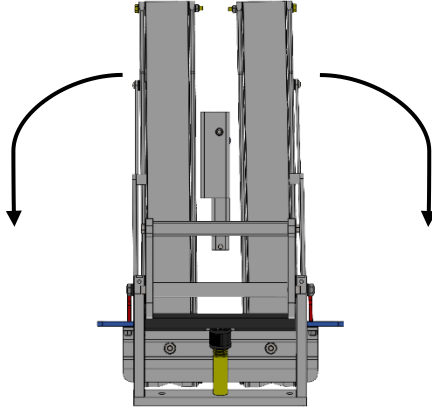


Note: If Hitch on vehicle is 1.25", remove the installed 2" Hitch Adapter with supplied ¼" hex wrench.



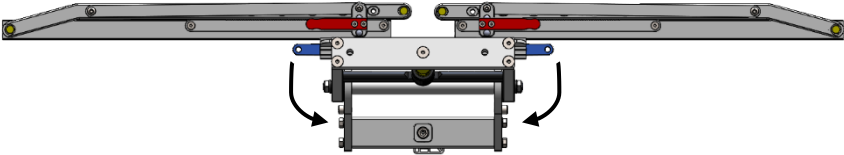
Step 3:

- Rotate Trays outward 90° into loading position.



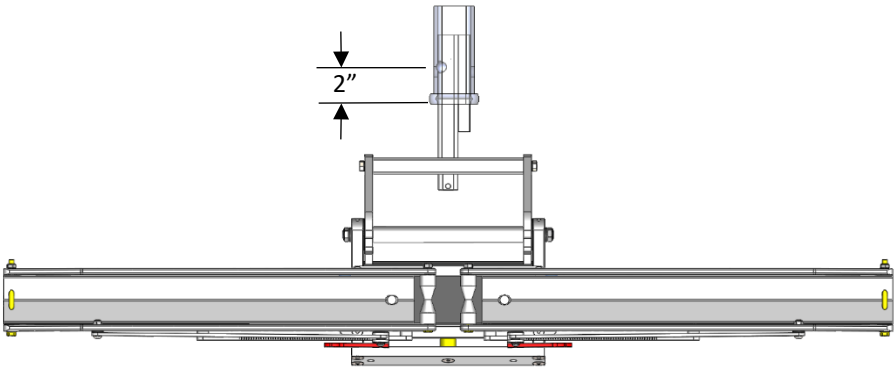
Step 3 Cont'd:

- Rotate Blue Levers back into original locking position.
- Ensure Blue Levers are always in locked position when using Rack.



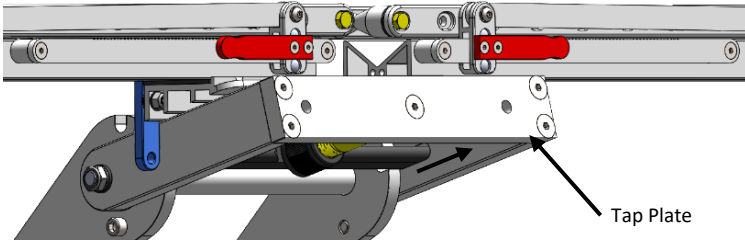
Step 4:

- Insert Rack to desired depth in receiver. Ball must be inserted a minimum of 2".
- **Silver ball should not stick out front of receiver.**



Step 5:

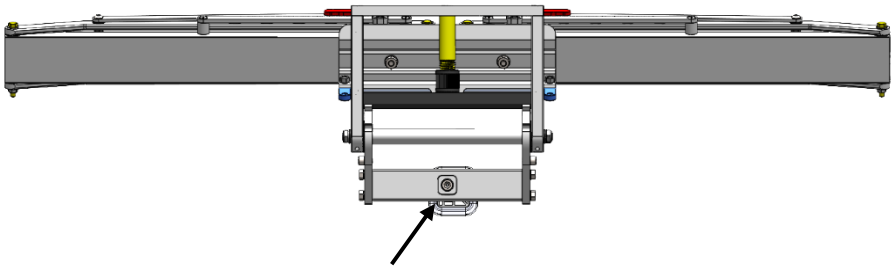
- Pivot Rack into storage position by pulling Black Bar back and lifting upward on Tap Plate.



Note: See Rack Positions on page 5 for more information.

Step 6:

- Tighten Security Bolt firmly with Gold Security Wrench provided.
- Attach Velcro Strap through safety chain loop on side of receiver and loop around crossbar of Rack for added safety.

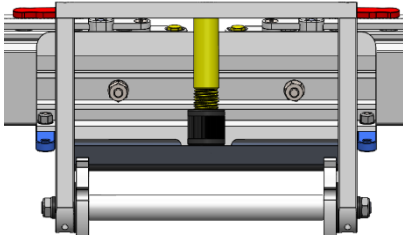


Note: Do not tighten Security Hitch Bolt if Hitch Bar is not inserted into a receiver.

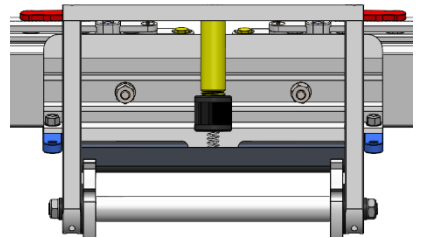
Pivoting the Rack

- Pull Black Bar out away from Hitch while lifting on Tap Plate.
- Rotate Rack toward desired position and release Black Bar. **Ensure Black Bar fully engages in slots.**
- **Once Black Bar is engaged, tighten Gold Bar Knob against Black Bar to lock Black Bar in place.**

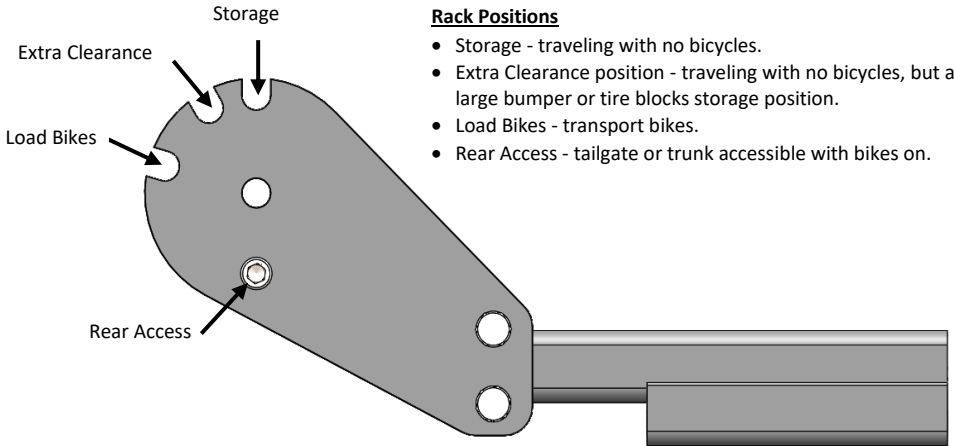
Warning: Failure to follow above instructions may cause severe damage to bikes and/or bike rack.



Locked



Unlocked

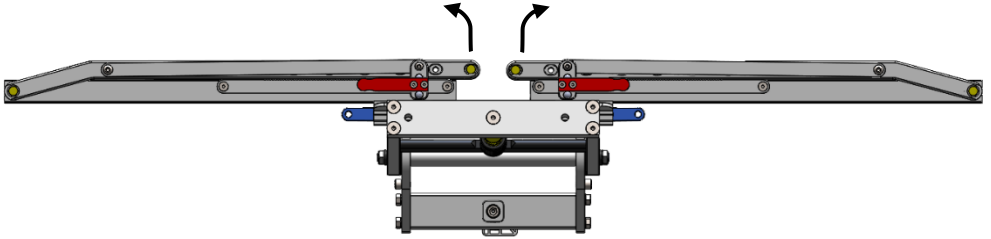


Note: In the rear access position, the Black Bar will not lock into place. Not for Transporting.

Loading Bikes

- On driver and passenger side, lift Red Lever up parallel with Glide Bar while pulling up on Bent Arm.

Note: Do not move Bent Arms up without lifting Red Lever.



- Set bike on Trays in desired position.
- Pivot Bent Arms down to tires firmly.

Note: When loading multiple bikes stagger them to avoid seat and handlebar interference.

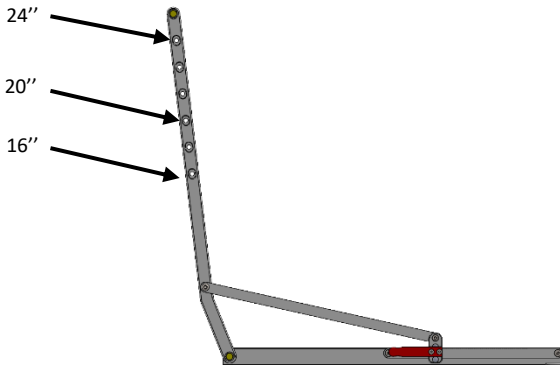


Unloading Bikes

- Compress Bent Arm/Spool into tire slightly while lifting on Red Lever. This relieves pressure and allows the Red Lever to easily unlock.
- Pivot Bent Arm from tire to unload.
- Repeat unloading process on opposite side.

Wheel Settings

- The Rack is set to hold 26", 27.5", 29", or 700-C wheels. If bike tires are smaller, see instructions below to adjust Spools accordingly.

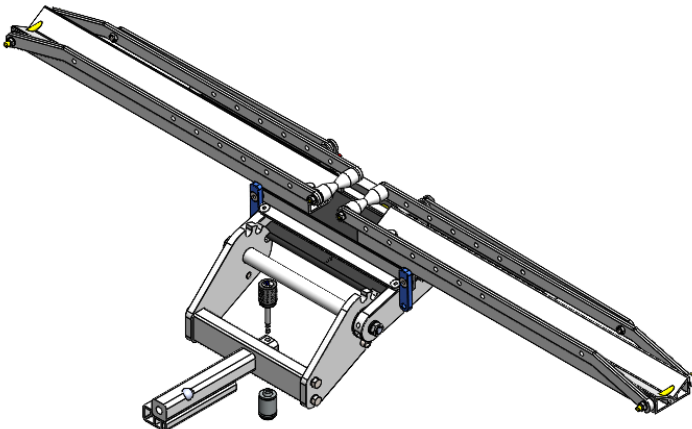


- With a ½" wrench, remove hex nut and washer.
- Slide bolt out of Spools and re-assemble Spools in desired wheel position, firmly tightening hex nut.



Locking Rack

- Insert Hitch Pin down from top of rack through hole near security bolt.
- Install Lock Head to end of Hitch Pin.



Additional Instructions

- Tighten Security Hitch Bolt periodically.
- Remove Rack from receiver at least every two weeks and clean receiver so Rack does not seize in the receiver.
- Remove road debris off nuts and bolts to prevent corrosion.
- Inspect hardware on Rack periodically to ensure proper working conditions.
- Certain car wash chemicals may damage Rack finish. Please use caution when cleaning vehicle and/or Rack.
- Failure to follow above instructions, or misuse of bike rack, may void warranty.

Questions or comments? Contact our support team via email at email@1up-usa.com