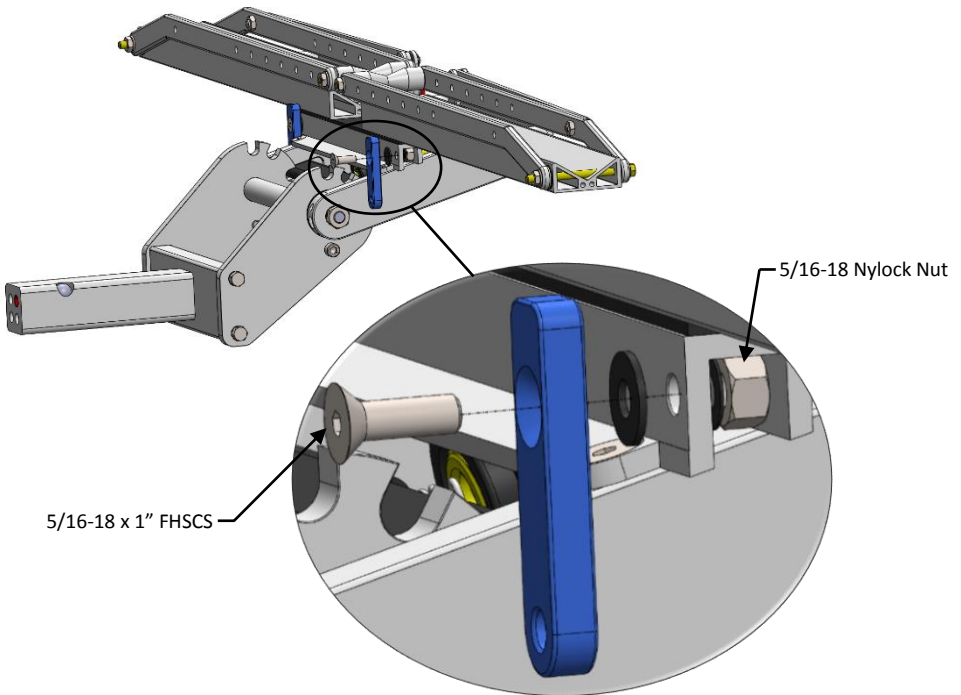


- Install blue lever as shown below. Be sure to install large black spacer between blue lever and 15-degree plate. Small black spacer to be installed between 15-degree plate and nut.
- Use supplied Allen Wrench and ½" wrench (not supplied) to snugly tighten fastener. Blue lever should stiffly rotate.



**Note:** Periodically tighten flat head fastener to insure secure connection.