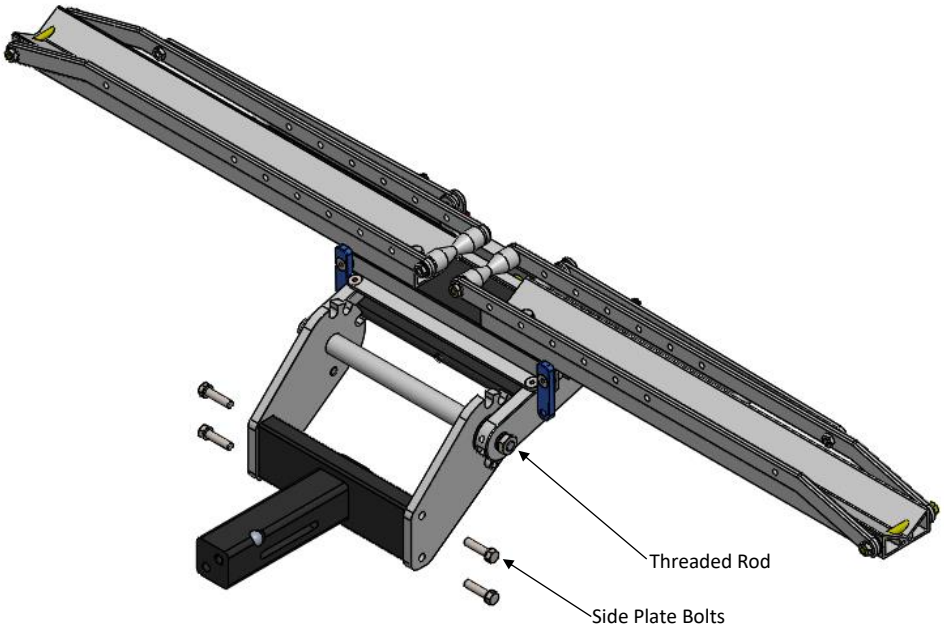


### Tools Required

- (1) 9/16" Wrench (not included)
- (2) 3/4" Wrenches (not included)

### Installation

- Loosen nut on Threaded Rod. Do not remove all the way.
- Unthread all four Side Plate Bolts and remove Hitch Bar.
- Install new Hitch Bar with supplied hardware in same orientation as original. Tighten all hardware firmly.



### Additional Instructions

- Remove road debris off nuts and bolts to prevent corrosion.
- Inspect hardware on Rack periodically to ensure proper working conditions.
- Certain car wash chemicals may damage Rack finish. Please use caution when cleaning vehicle and/ or Rack.

Questions or comments? Contact our support team via email at [email@1up-usa.com](mailto:email@1up-usa.com)