



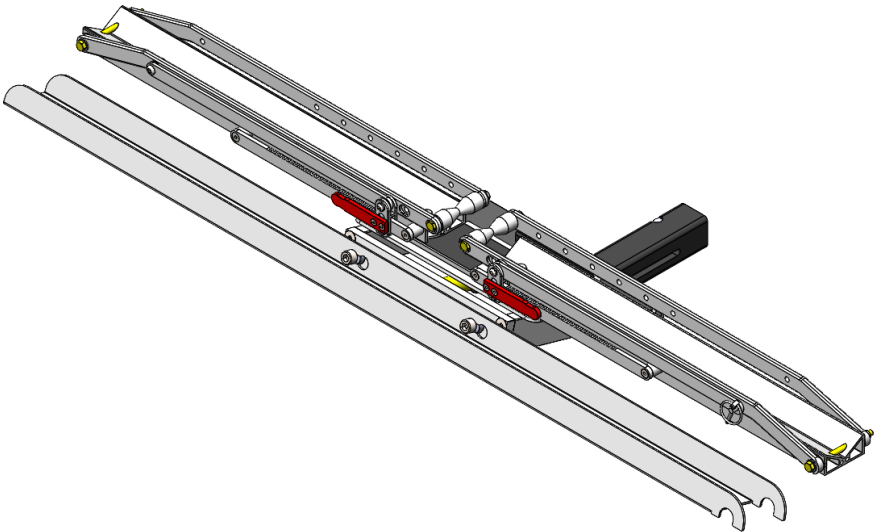
SD Ramp Manual

In the Box:

- (1) – Ramp
- (2) – Security Bolt
- (1) – 5/16-18 x 5" Hex Bolt
- (2) – 1" OD x .125" Thick Black Spacer
- (1) – 5/16-18 Jam Nylock Nut
- (1) – Clevis Pin
- (1) – Linch Pin
- (2) – 1" OD x .375" Thick Metal Spacer

Tools Required:

- Security Wrench
- 1/2" Wrench
- 3/16" Allen Wrench



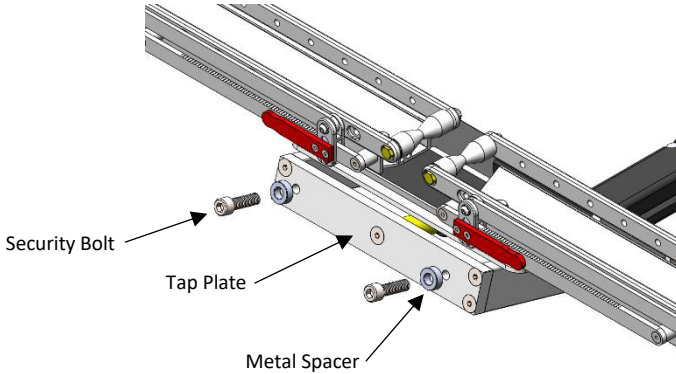
Product Notes:

- Compatible with Quik Rack, Heavy Duty and Super Duty Racks.
- Unit can install on driver or passenger side tray.
- Base Rack Security Wrench required for assembly.

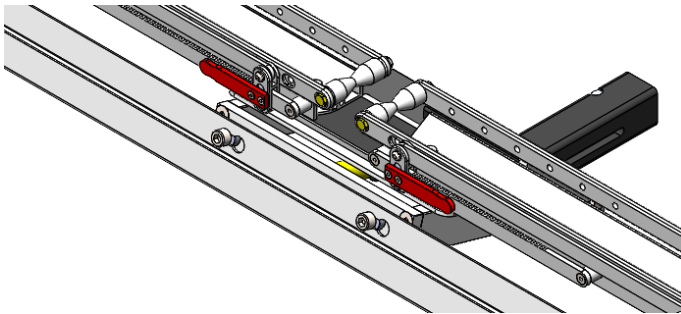
Installation

Step 1

Place Metal Spacer on each Security Bolt.
Start Security Bolts in Tap Plate threaded holes.

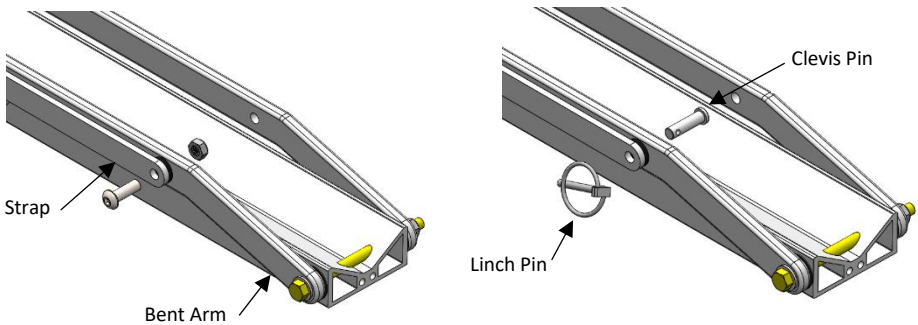


Place SD Ramp onto base rack by aligning keyhole slots with Security Bolts. Tighten Security Bolts.



Step 2

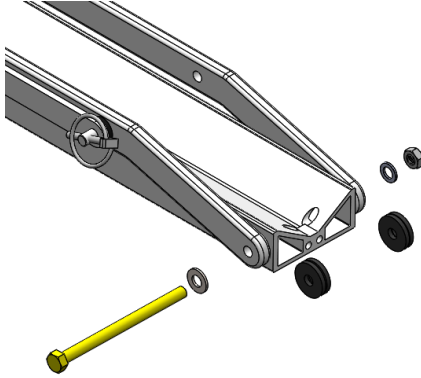
Remove nut and bolt holding Strap to Bent Arm.



Install Clevis Pin through Bent Arm, Spacer and Strap. Linch Pin goes through Clevis Pin securing it in place.

Step 3

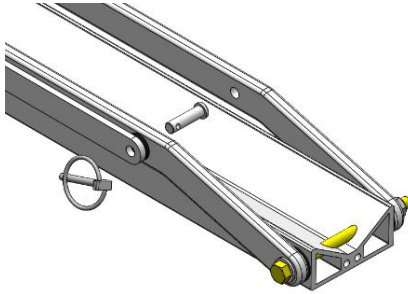
Remove 5/16-18 x 4.5" Hex Bolt from end of Tray. Install provided 5/16-18 x 5" Hex Bolt, existing washer and two Plastic Spacers on each side of Tray. Secure Bolt with provided Nylok Jam Nut and existing washer.



Loading Ramp

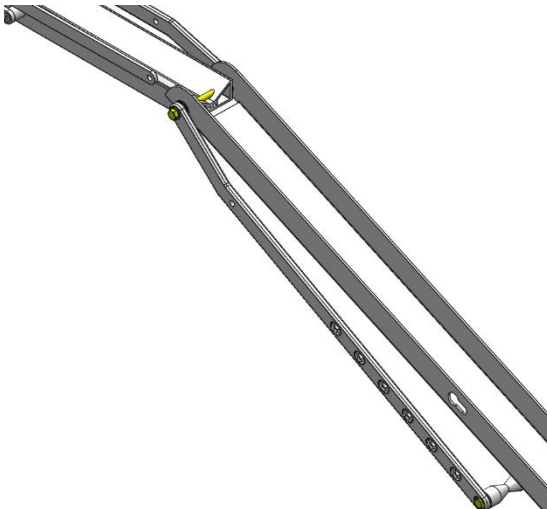
Step 1

Remove Linch Pin from Clevis Pin. Set both pins aside along with black spacer.



Step 2

Rotate Bent Arms so Spool is down towards the ground. Ramp clips onto Plastic Spacers installed earlier.



Step 3

Roll Bike up SD Ramp and onto Rack Trays. Use Bent Arm, opposite of ramp, to stabilize bike while loading.



Step 4

Remove Ramp and install onto Tap Plate. Reinstall the Clevis Pin, Spacer, and Linch Pin (shown in Steps 1 and 3 above). Use rack as normal.



Additional Instructions

- Remove road debris off nuts and bolts to prevent corrosion.
- Inspect hardware on Accessory periodically to ensure proper working conditions.
- Certain car wash chemicals may damage Accessory finish. Please use caution when cleaning vehicle and/or Accessory.

Questions or comments? Contact our support team via email at email@1up-usa.com