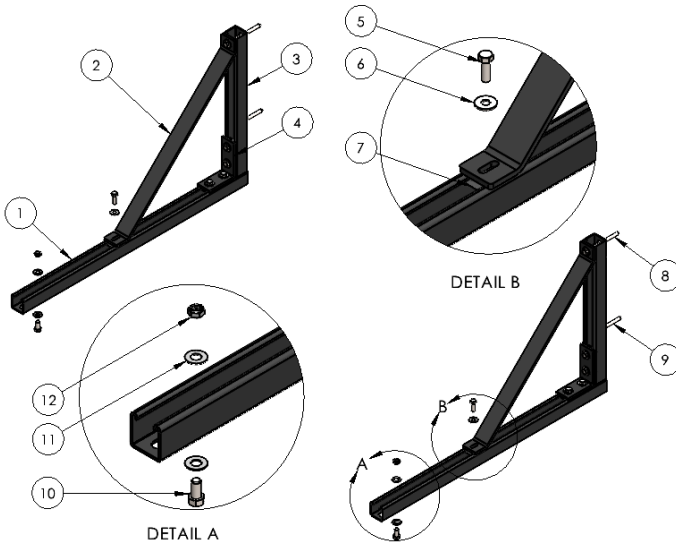




RS Slide Wall Mount Assembly

Parts List

- 1) RS Slide Wall Mount, Horizontal Strut
- 2) RS Slide Wall Mount, 45 Degree Strut
- 3) RS Slide Wall Mount, Vertical Strut
- 4) RS Slide Wall Mount, 90 Degree Strut
- 5) 5/16-18 x 1" Hex Cap Screw
- 6) 5/16 USS Washer
- 7) 5/16-18 Unistrut Nut
- 8) 5/16 x 4.5" Wood Lag Screw
- 9) 5/16 x 3" Wood Lag Screw
- 10) 3/8-16 x .75" Hex Cap Screw
- 11) 3/8 USS Washer
- 12) 3/8-16 Nylock Nut



In the Box:

- (2) RS Slide Wall Mount Assembly
- (1) RS Slide Mounting Hardware Bag
- (1) Installation Hardware Bag

Tools Required:

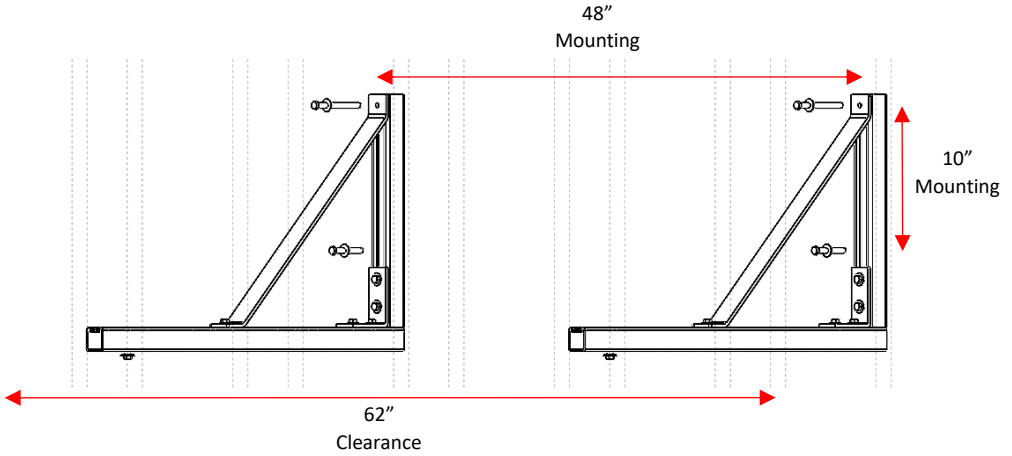
- 1/2" & 9/16" Socket with Ratchet
- 1/2" & 9/16" Wrench
- 9/64" Drill Bit
- Drill
- Level
- Tape Measure

Product Notes:

- 50 lb per Trolley Assembly with six trolleys max per 5' section.
- Unit requires 62" of wall space for mounting (includes RS Slide).
- RS Slide to be mounted on second slot from end of Horizontal Strut.

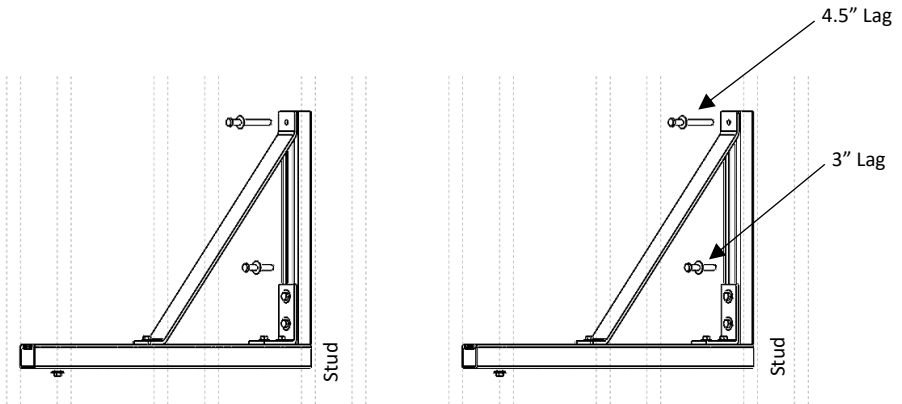
Step 1:

- Unit must be installed into solid surface and requires 48" mounting hole spacing.
- Use level and tape measure to mark and drill 9/64" pilot holes in wall. Mounting requires two holes per bracket (10" center to center).



Step 2:

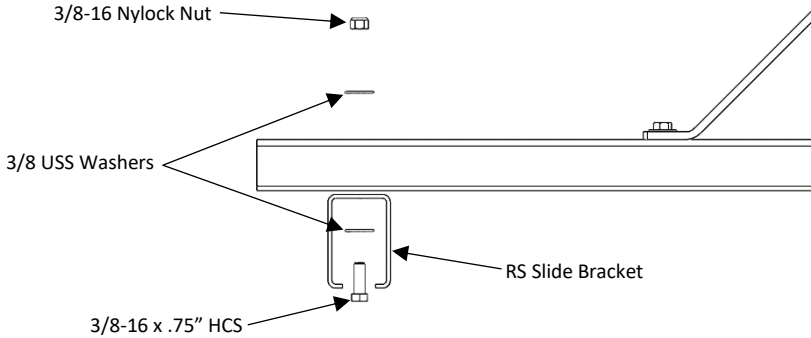
- Use supplied lags and washers to install unit. Tighten lags firmly.
Note: Ensure brackets are installed level to one another.



Step 3:

- Install RS Slide Bracket onto Horizontal Strut using provided hardware.
- Review RS Slide Instructions for additional information.

Note: Use straight edge to ensure RS Slide brackets are in line with one another.



Additional Instructions

- Use **caution** while taking steps to install RS Slide Wall Mount Assembly.
- Inspect RS Slide Wall Mount Assembly periodically to ensure proper working conditions.

Questions or comments? Contact our support team via email at email@1up-usa.com

Warning/Disclaimer

Manufacturer and seller expressly disclaim any and all liability for personal injury, property damage or loss, whether direct, indirect, or incidental, resulting from the incorrect mounting, improper use, inadequate maintenance, or neglect of this system.