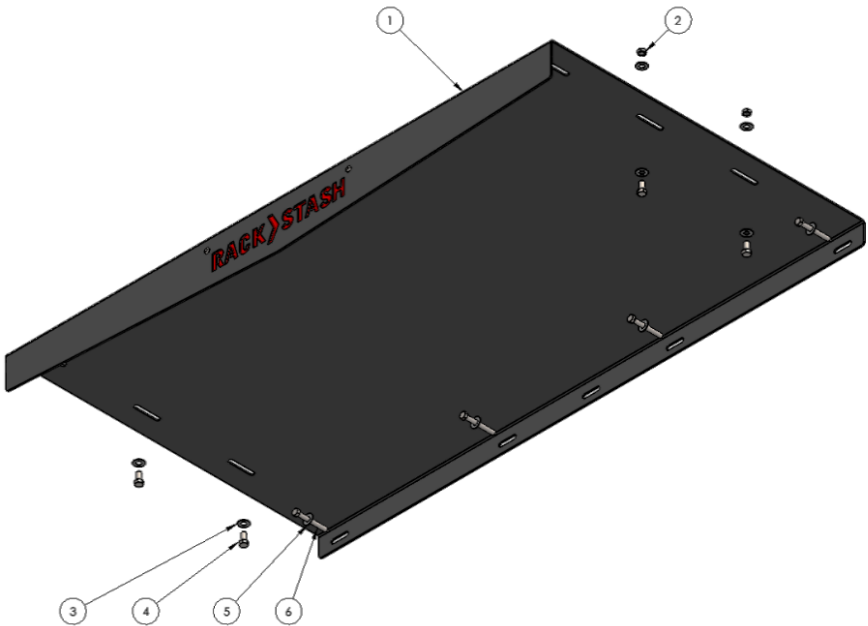


Parts List

- | | |
|---------------------------|--------------------------------|
| 1) RS Slide Storage Shelf | 4) 3/8-16 x .75" Hex Cap Screw |
| 2) 3/8-16 Nylock Nut | 5) 5/16 USS Washer |
| 3) 3/8 USS Washer | 6) 5/16 x 3" Wood Lag Screw |



In the Box:

- (1) RS Slide Storage Shelf
- (1) Installation Hardware Bag

Tools Required:

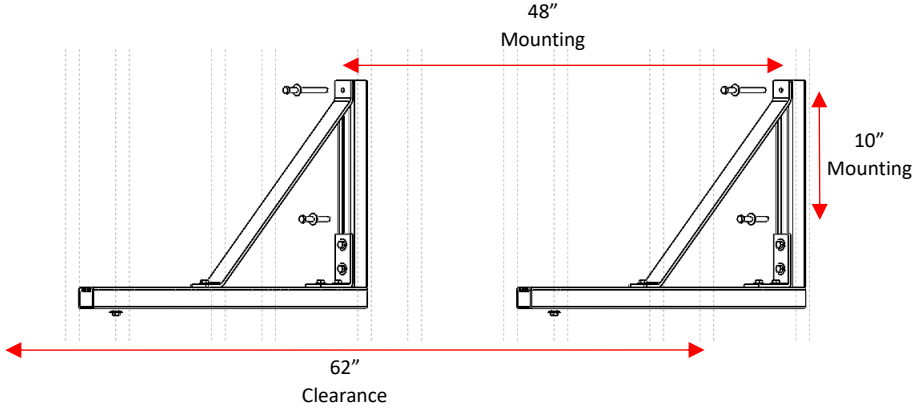
- 1/2" & 9/16" Socket with Ratchet
- 1/2" & 9/16" Wrench
- 9/64" Drill Bit
- Drill
- Level
- Tape Measure

Product Notes:

- 300 pound max capacity (includes RS Slide).
- Unit requires 62" of wall space for mounting (includes RS Slide).
- RS Slide to be mounted on second slot from end of Horizontal Strut.

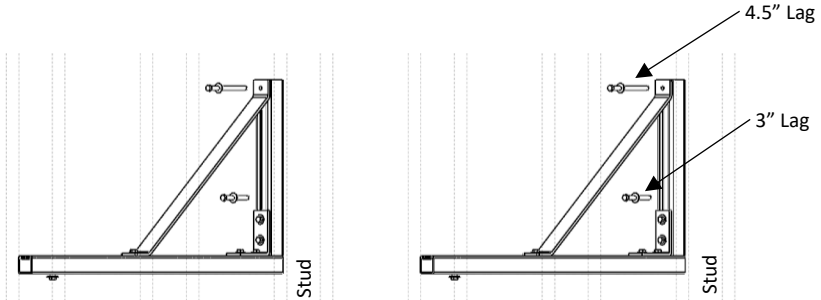
Step 1:

- Unit must be installed into solid surface and requires 48" mounting hole spacing.
- Use level and tape measure to mark and drill 9/64" pilot holes in wall. Mounting requires two holes per bracket (10" center to center).



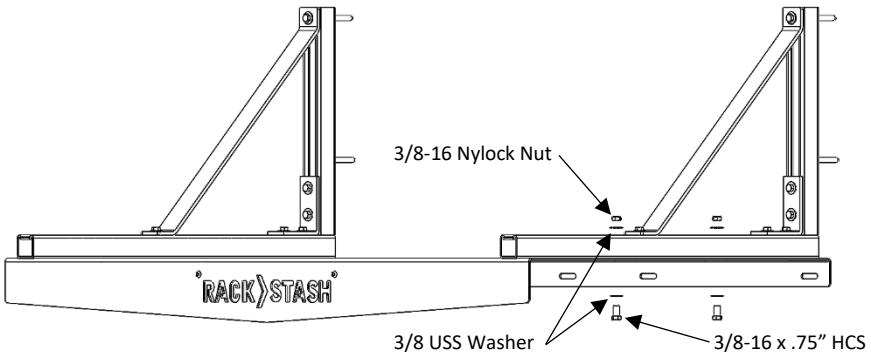
Step 2:

- Use supplied lags and washers to install unit. Tighten lags firmly.
Note: Ensure brackets are installed level to one another.



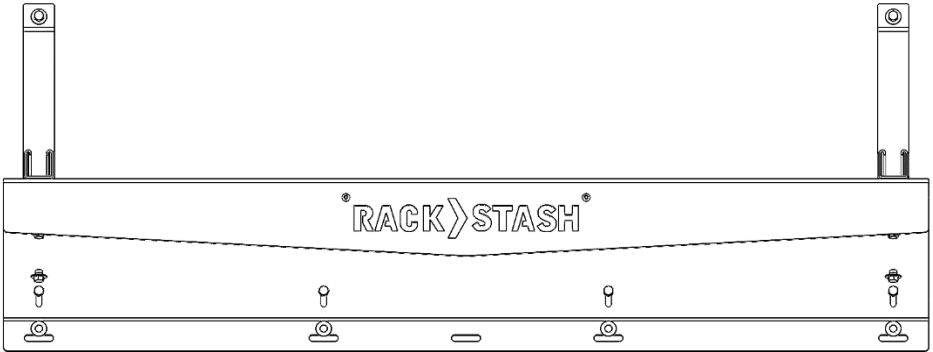
Step 3:

- Use supplied hardware to install unit to bottom of brackets. See picture below for bolt orientation.
- Do not tighten bolts, push RS Slide storage shelf tight against wall.
Note: If not using RS Slide install three 3/8-16 x .75" HCS per bracket.

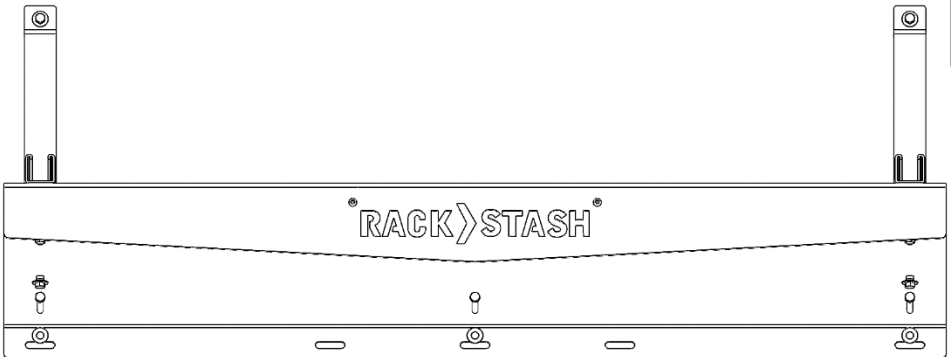


Step 4:

- Determine if shelf will mount at 16" (4 lags) spacing or 24" (3 lags) spacing. Unit must install into solid surface.
- Mark and drill 9/64" pilot holes in wall.
- Use supplied lags and washers to install unit. Tighten lags firmly.
- Tighten all 3/8-16 x .75" HCS from Step 3.



16" On Center

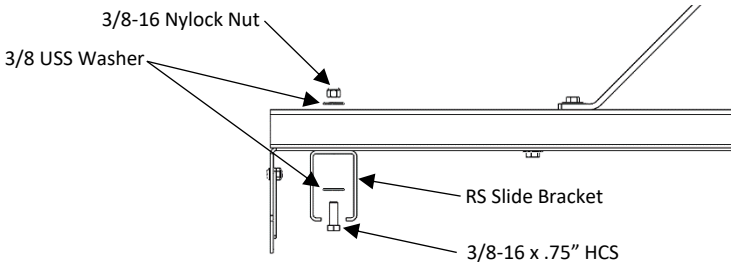


24" On Center

Step 5:

- Install RS Slide Bracket into Horizontal Strut using provided hardware.
- Review RS Slide Instructions for additional information.

Note: Use straight edge to ensure RS Slide brackets are in line with one another.



Additional Instructions

- Use **caution** while taking steps to install RS Slide Wall Storage Shelf.
- Inspect RS Slide Storage Shelf periodically to ensure proper working conditions.

Questions or comments? Contact our support team via email at email@1up-usa.com

Warning/Disclaimer

Manufacturer and seller expressly disclaim any and all liability for personal injury, property damage or loss, whether direct, indirect, or incidental, resulting from the incorrect mounting, improper use, inadequate maintenance, or neglect of this system.