



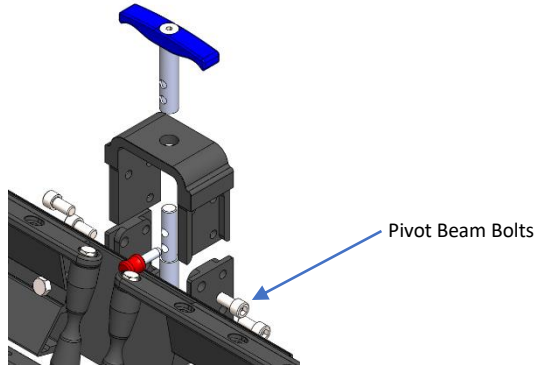
Installing Equip-D Add-On

In the Box:

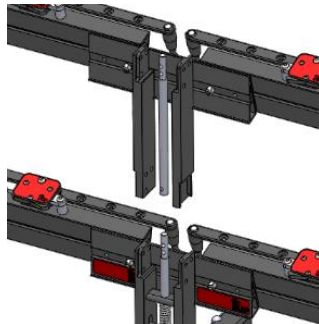
- 1UP USA Equip-D Add-On
- (4) Pivot Beam Bolts
- (1) Add-On Rod
- (1) Add-On Detent Pin

Step 1:

- Rotate Base Rack into Storage position (parallel to the rear of vehicle).
- Remove red Detent Pin and pull out Handle.
- Unthread Pivot Beam Bolts holding End Cap.
- Remove End Cap.



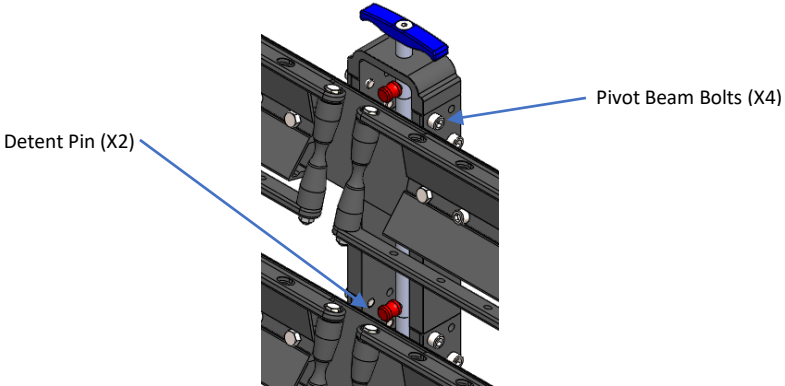
- **Step 2:**
- Slide Add-On and Add-On Rod onto Base Rack.
- Reinstall Pivot Beam Bolts from Step 1 to secure Add-On. Be sure to tighten firmly.



Note: Periodically tighten Pivot Beam Bolts to ensure secure connection.

Step 3:

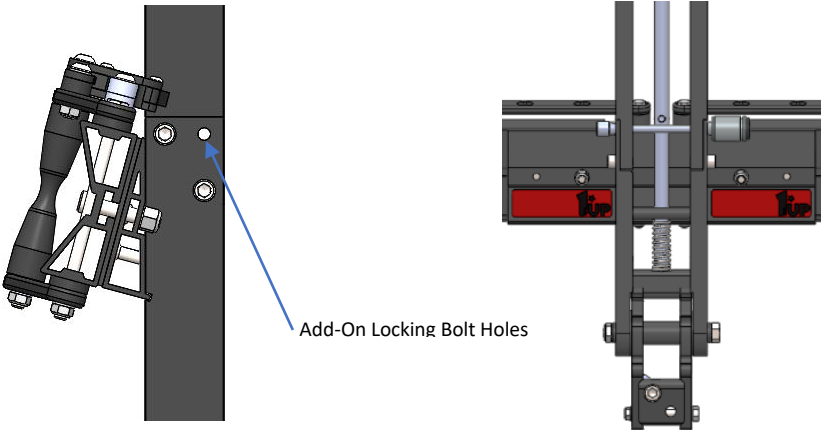
- Place End Cap onto Add-On.
- Secure End Cap with four Pivot Beam Bolts.
- Line up holes and install Detent Pins to join Pull Rods and Handle.



Installing Add-On Lock (if applicable)

Not included with Add-On purchase (sold separately)

- Install Add-On Locking Pin through holes (Lock hole shown below).
- Apply Lock Head to threaded end of Add-On Locking Pin. Key must be inserted and turned to thread Lock Head into position.



Additional Instructions

- Remove road debris off nuts and bolts to prevent corrosion.
- Inspect hardware on Rack periodically to ensure proper working conditions.
- Certain car wash chemicals may damage Rack finish. Please use caution when cleaning vehicle and/ or Rack.

Questions or comments? Contact our support team via email at email@1up-usa.com