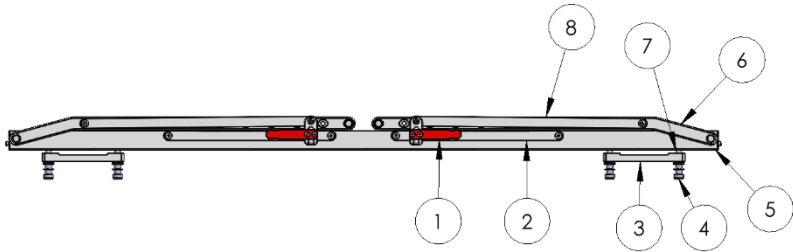


### Parts List:

- |                    |                  |
|--------------------|------------------|
| 1) Red Lever       | 5) Roof Tray     |
| 2) Glide Bar       | 6) Bent Arm      |
| 3) Roof Rack Clamp | 7) Carriage Bolt |
| 4) Barrel Nut      | 8) 19" Strap     |



### In The Box:

#### STANDARD MOUNT

- 1UP USA Roof Rack
- 1 Silver Roof Rack Wrench
- 4 Barrel Nuts
- 4 Carriage Bolts
- 4 Black Washers
- 4 Silver Washers
- 2 Roof Rack Clamps

#### OPTIONAL FLUSH MOUNT

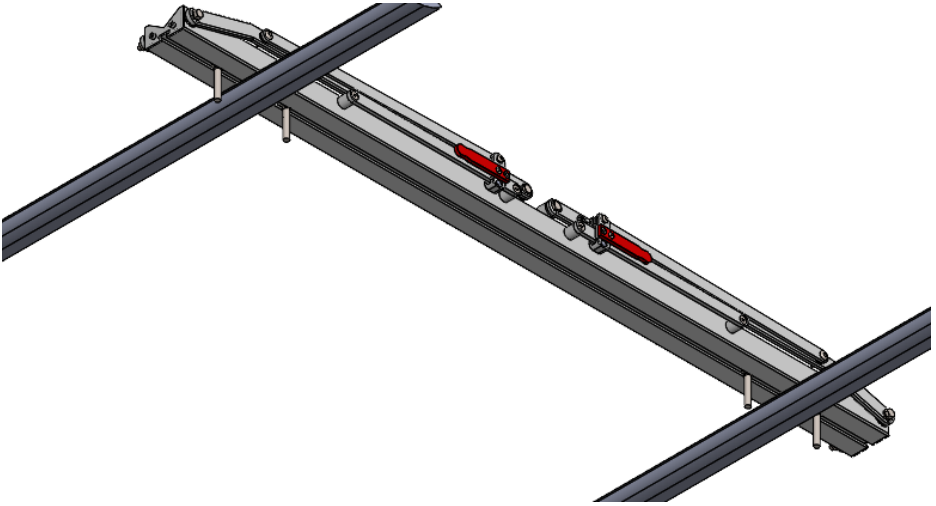
- 1UP USA Roof Rack
- 1 Yellow Allen Wrench
- 2 Carriage Bolts
- 2 Jam Nuts
- 4 Flat Head Screws
- 4 Yellow Tee Nuts
- 2 Roof Rack Clamps

### Product Notes:

- Fits 16"-29" wheels, up to 3.1" wide. For wider tires, use a Fat Bike Spacer Kit, (sold separately).
- Rated to hold a bike up to 50 lbs.

## **Step 1:**

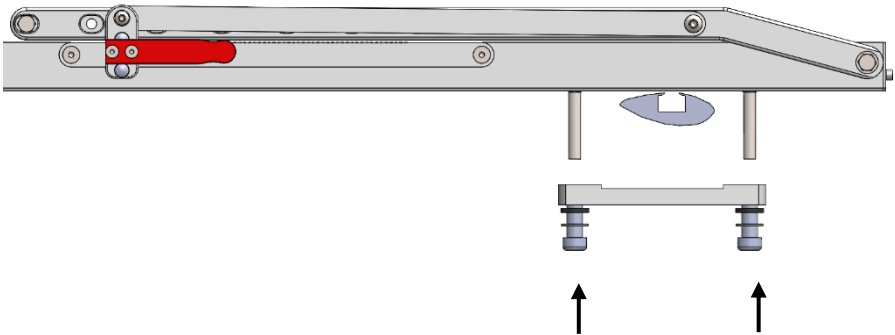
- Slide all four Carriage Bolts into bottom slot of Roof Tray.
- Position Carriage Bolts so they sit evenly spaced on vehicles' cross bars.



## **Step 2:**

- Insert provided Barrel Nuts into the holes of the Roof Rack Clamp and position Roof Rack Clamps underneath crossbars.
- Connect the Barrel Nuts and Carriage bolts, tightening by hand and then with Silver Security Wrench.
  - Periodically check tightness of Barrel Nuts

**Note: The Black and Silver Washers are for adjustments in length if needed.**

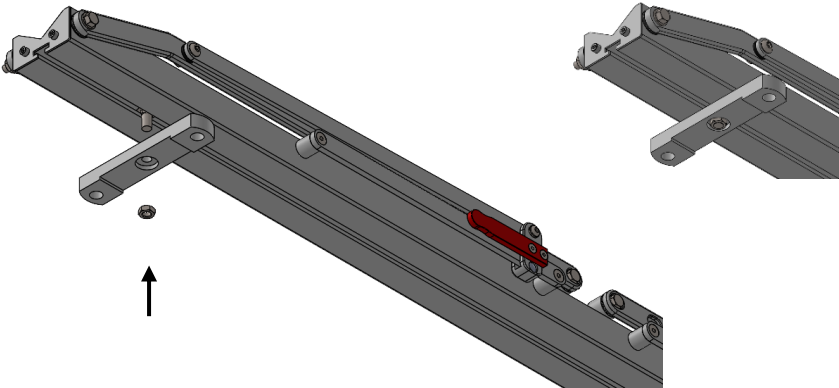


## Optional Flush Mount

### Step 1:

- Slide two Carriage Bolts into bottom slot of Roof Tray.
- Position the Roof Rack Clamp perpendicular to the tray and use installed carriage bolt and jam nut to tighten clamp in place. Repeat for second clamp.

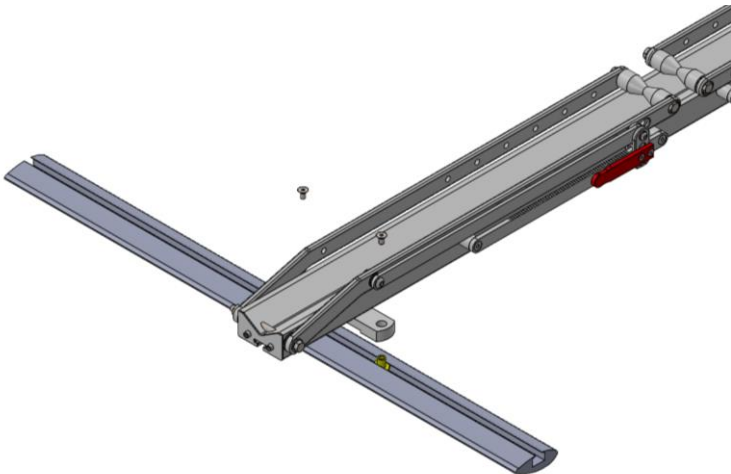
**Note: Position Roof Rack Clamps to accommodate existing crossbars.**



### Step 2:

- Position two yellow Tee Nuts into the crossbar allowing each hole on the Roof Rack Clamp to align with its corresponding Tee Nut.
- Install Flat Head Screw through clamp and tightened into Tee Nut. Use supplied Allen Wrench to clamp firm.

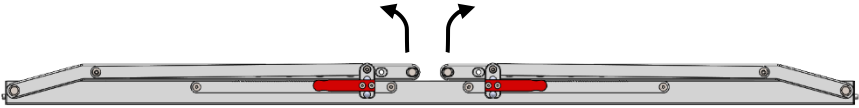
**Note: Black and Silver Washers are for minimum adjustments in length if needed.**



## Loading Bikes

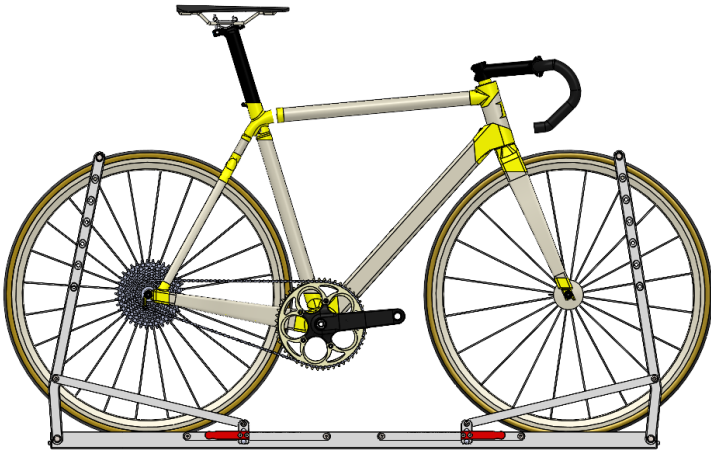
- Lift Red Lever up parallel with the Glide Bar while pulling up on the Bent Arm. Do this on both the driver and passenger side.

**Note: Do not move Bent Arms up without lifting Red Lever.**



- Set bike on trays in desired position.
- Pivot Bent Arms down to tire firmly.

**Note: When loading multiple bikes stagger them to avoid seat and handlebar interference.**

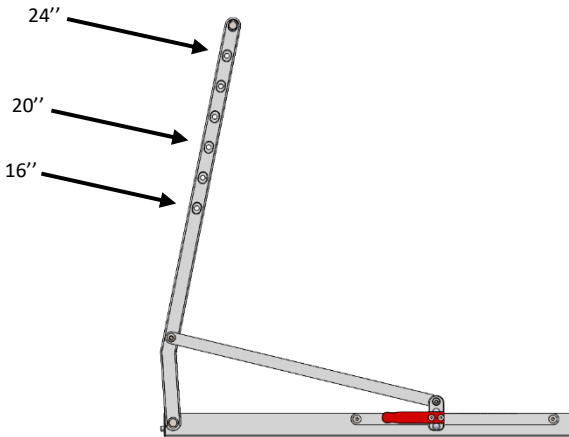


## Unloading Bikes

- Compress bent arm/spools into tire slightly while lifting up on the Red Lever. This relieves pressure and allows the red lever to easily unlock.
- Pivot Bent arms from bike to unload.

## Wheel Settings

- Rack is set to hold 26", 27.5", 29", or 700-C wheels. If bike tires are smaller, see instructions below to adjust spools accordingly.



- With a 1/2" wrench, remove the hex nut and washer.
- Slide bolt out of spools and re-assemble spools in desired wheel position, firmly tightening hex nut.



## Additional Instructions

- Remove road debris off nuts and bolts to prevent corrosion.
- Inspect hardware on Rack periodically to ensure proper working conditions.
- Certain car wash chemicals may damage Rack finish. Please use caution when cleaning vehicle and/or Rack