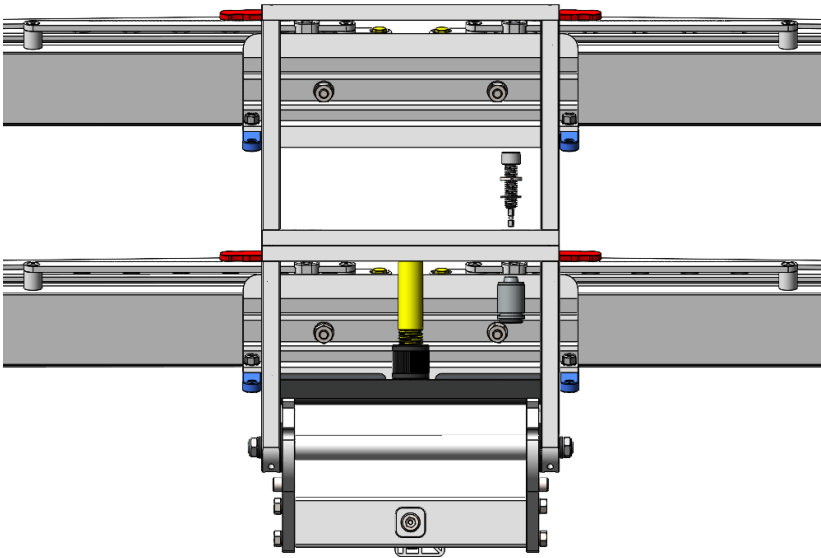


- If Add-On is already installed to Base Rack, remove right Security Bolt. If installing a new Add-On, Add-On Locking Bolt will be applied to right threaded hole of Base Rack Tap Plate.
- Slide locking washer and flat washer over Add-On Locking Bolt and thread into Tap Plate hole.
- With Base Rack Security Wrench, tighten Add-On Locking Bolt.
- Apply Lock Head to threaded end of Add-On Locking Bolt. Key must be inserted and turned to lock.



**Note:** Periodically tighten Security Bolts to insure secure connection.

### **Additional Instructions**

- Remove road debris off nuts and bolts to prevent corrosion.
- Inspect hardware on Rack periodically to ensure proper working conditions.
- Certain car wash chemicals may damage Rack finish. Please use caution when cleaning vehicle and/ or Rack.

Questions or comments? Contact our support team via email at [email@1up-usa.com](mailto:email@1up-usa.com)