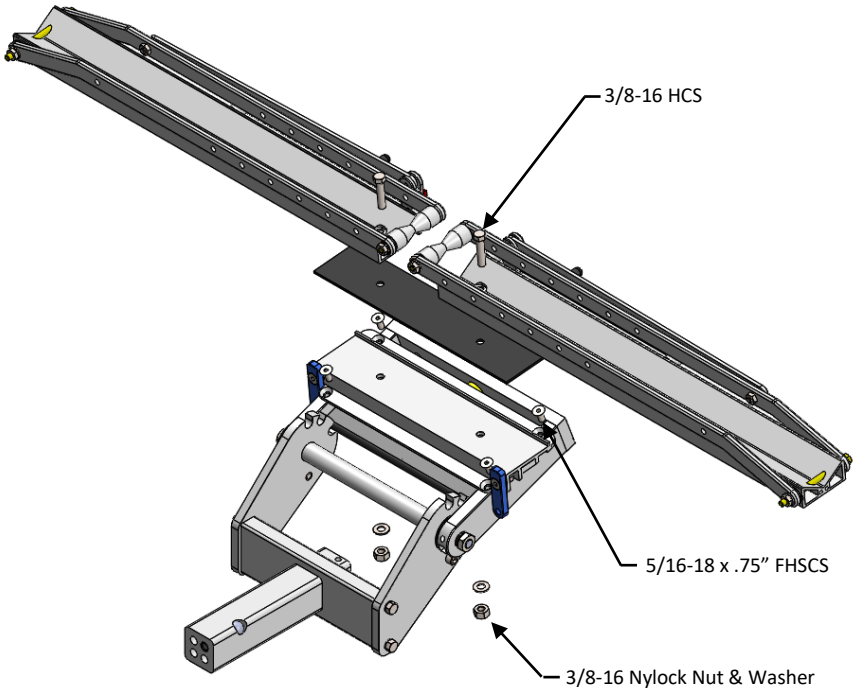


## Installing 15 Degree Plate

- Install 15° Plate as shown below. Both trays must be removed before installing new 15° plate.
- Tools required (not included):
  - 9/16" socket to remove/install tray fasteners.
  - 3/16" Allen Wrench to remove/install 15° plate fasteners.

**Note: 15° plate fasteners may require impact quality tool to remove.**



**Note: Periodically tighten fasteners to insure secure connection.**