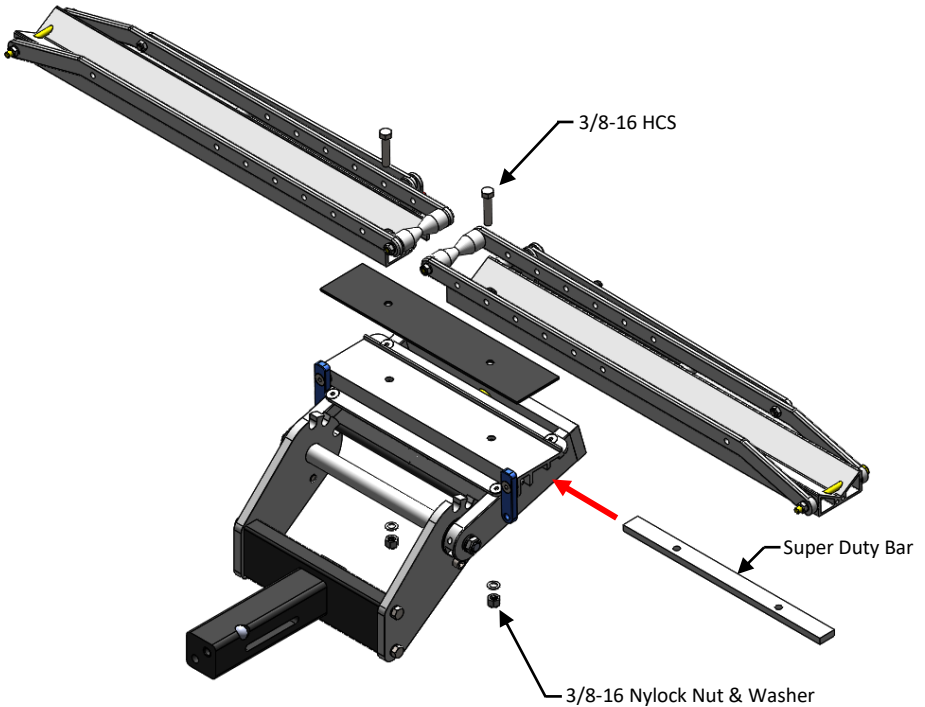


- Install Super Duty Bar as shown below using provided hardware. Both trays must be removed before installing.
- Tools required (not included):
  - 9/16" socket to remove/install tray fasteners.



**Note:** Periodically tighten fasteners to insure secure connection.