

RACK > STASH

In the Box:

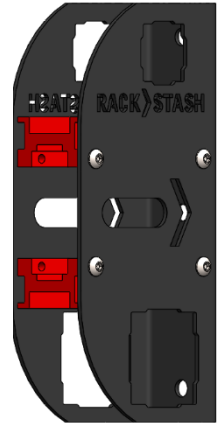
- Rack Stash
- Installation Hardware

Tools Required:

- Drill
- 1/4" Drill Bit
- 1/2" Socket and Ratchet
- Tape Measure
- Level

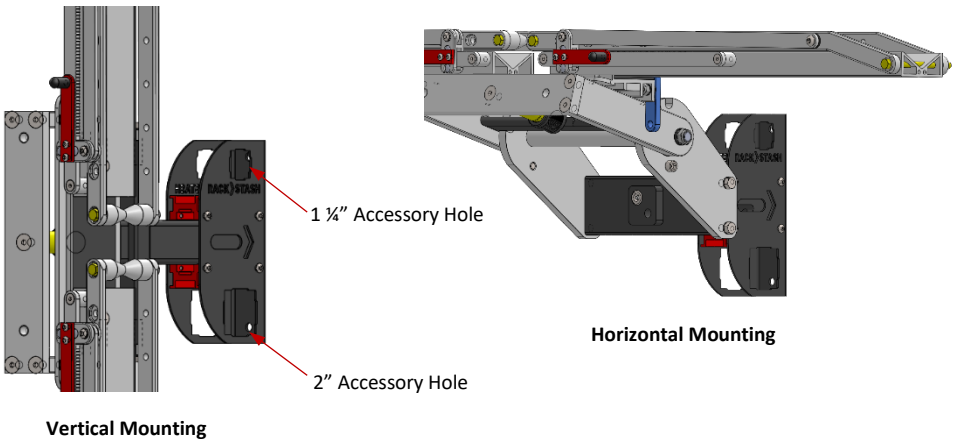
Installation

- Begin by finding wall location to install. Unit requires one stud for mounting. 30" minimum clearance required beyond both ends of unit.
- Use level and tape to mark and drill three 1/4" pilot holes in wall for mounting.
- Use supplied lags and washers to install unit. Lags should be tightened firmly.



Storing Bike Rack

Rack can install running horizontal or vertical as shown below. Be sure to not overtighten bike rack. This may cause damage to the Rack Stash.

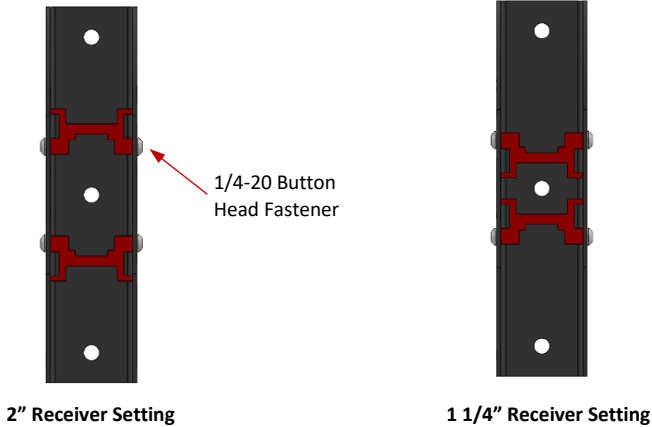


Vertical Mounting

Horizontal Mounting

Converting between 1 1/4" and 2"

- Remove eight 1/4-20 button head fasteners using 1/8" Allen Wrench (not included.)
- Remove and rotate extrusion to match applicable picture below. Be sure large though hole is toward front of unit when reinstalling.
- Reinstall 1/4-20 button heads.



Additional Instructions

- Use **caution** while taking steps to install Rack Stash.
- Inspect Rack Stash periodically to ensure proper working conditions.

Questions or comments? Contact our support team via email at email@1up-usa.com

Warning/Disclaimer

Manufacturer and seller expressly disclaim any and all liability for personal injury, property damage or loss, whether direct, indirect, or incidental, resulting from the incorrect mounting, improper use, inadequate maintenance, or neglect of this system.

Manufactured by: 1UP USA