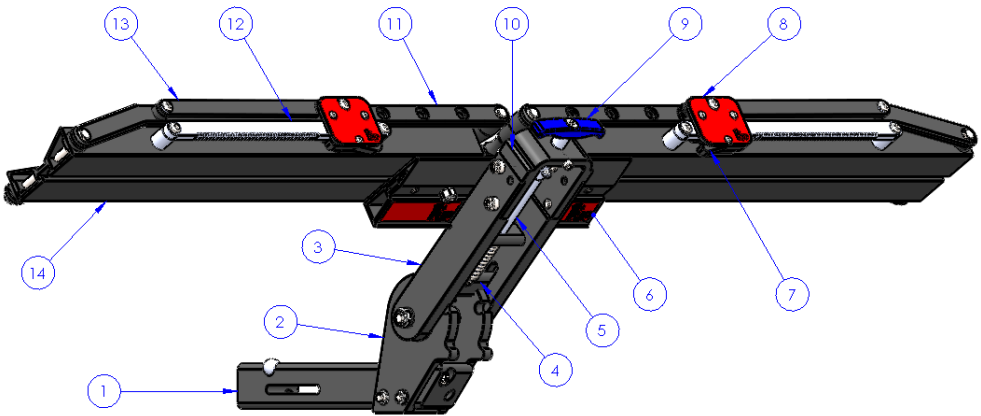


Parts List:

- | | |
|---------------------|---|
| 1) Hitch Bar | 10) End Cap |
| 2) Side Plate | 11) Bent Arm |
| 3) Pivot Beam | 12) Glide Bar |
| 4) Black Bar | 13) Strap |
| 5) Pull Rod | 14) Tray |
| 6) 15 Degree Plate | 15) Detent Pin (Not Shown) |
| 7) Bar Slide Button | 16) 2" Hitch Adaptor (1.25" Models) (Not Shown) |
| 8) Bar Slide | |
| 9) Handle Assembly | |



In the Box:

- 1UP USA Equip-D Rack
- Multi Tool
- Slotted Hitch Bar Lock (2" Models)
- Rack to Receiver Security Cable and Lock (1.25" Models)
- Fat Tire Spacer Kit (Optional)
- Hardware Bag

Product Notes:

- Fits 16"-29" wheels, up to 4.5" wide. For wider tires, use Fat Bike Spacer Kit (included).
- 50 lb weight limit on bike spots 1 and 2 (2 closest to the vehicle), 40 lb weight limit on bike spots 3 and 4 (2 furthest from vehicle).
- Equip-D Racks offered in single and double configurations.
- Two Add-Ons max for 2" models and 1 1/4" single, One Add-On max for 1 1/4" double (Add-Ons sold separately).

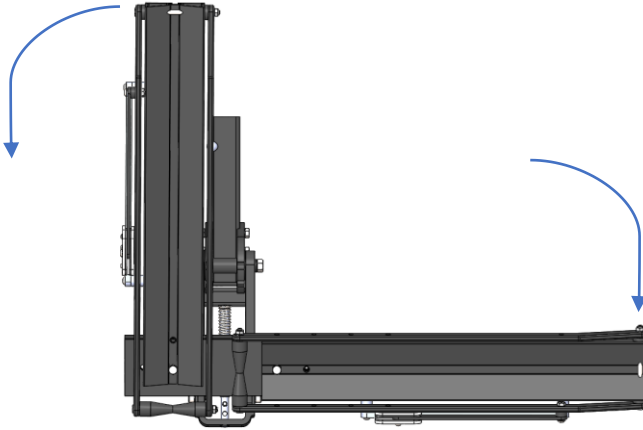
Step 1:

- Remove Rack from box.
- Unfold Hitch parallel with the Trays.
- Remove all cardboard supports.
- Remove plastic wrap around Hitch.

Note: For 1.25" Equip-D Models, if receiver on vehicle is 1.25", see 2" Hitch Adapter (See page 4 for more information).

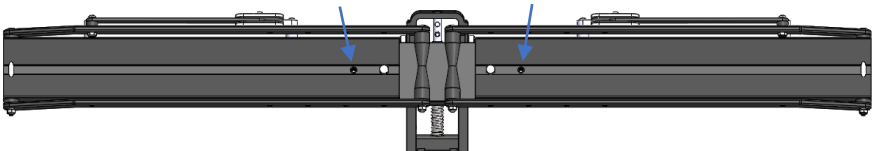
Step 2:

- Position Rack with Hitch Bar facing upwards and place on a stable nonabrasive surface.
- Rotate Trays outward 90° into loading position.



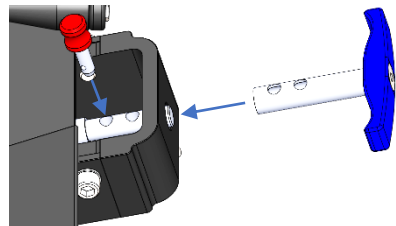
Step 3:

- Insert 3/8-16 SHCS bolt into holes shown and tighten firmly with Multi Tool.



Step 4:

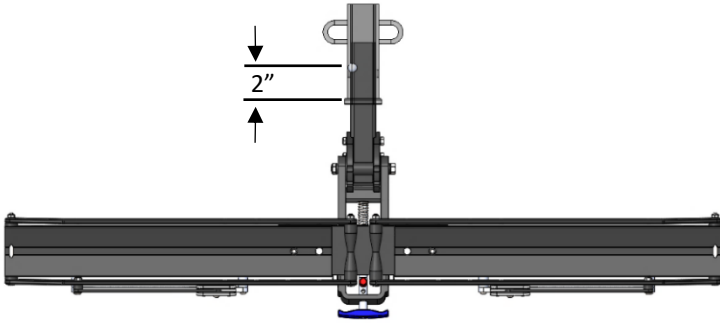
- Install Handle Assembly through End Cap.
- Slide Detent Pin through Handle Assembly and Pull Rod.



Note: See Rack Positions on page 4 for more information.

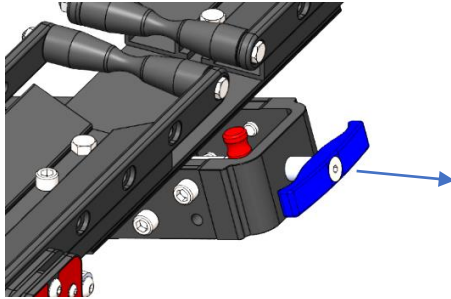
Step 5:

- Insert Rack to desired depth in receiver. Ball must be inserted a minimum of 2".
- Silver ball should not stick out front of receiver.



Step 6:

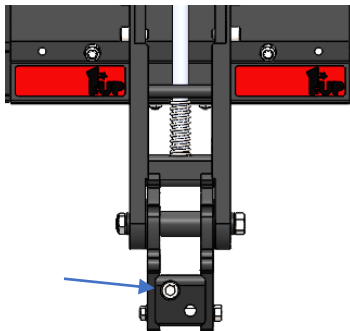
- Pivot Rack into storage position by pulling blue Handle Assembly outward and lifting upward on End Cap.



Note: See Rack Positions on page 4 for more information.

Step 7:

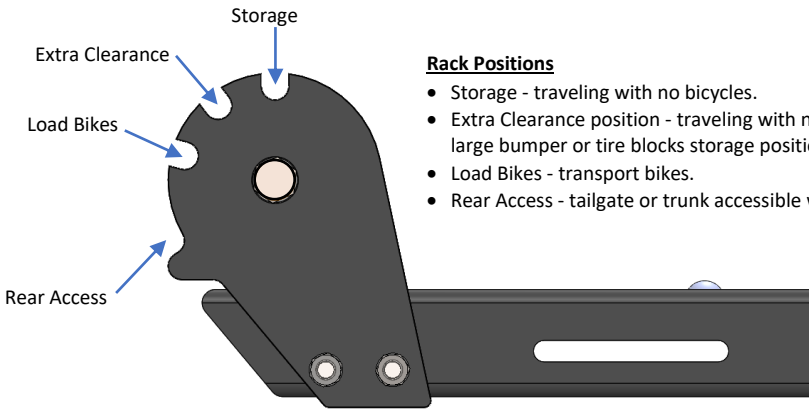
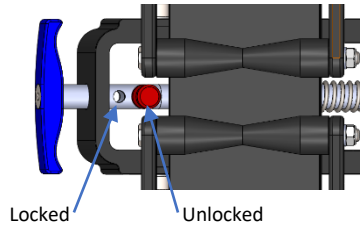
- Tighten Hitch Bolt firmly with Multi Tool provided.



Note: Do not tighten Hitch Bolt if Hitch Bar is not inserted into a receiver.

Pivoting the Rack

- Pull Handle out away from Hitch while lifting on End Cap.
- Pivot Rack towards desired position and release Handle. **Ensure it is fully engaged in slots.**
- **Once Black Bar is engaged, move red Detent Pin to locked position.**

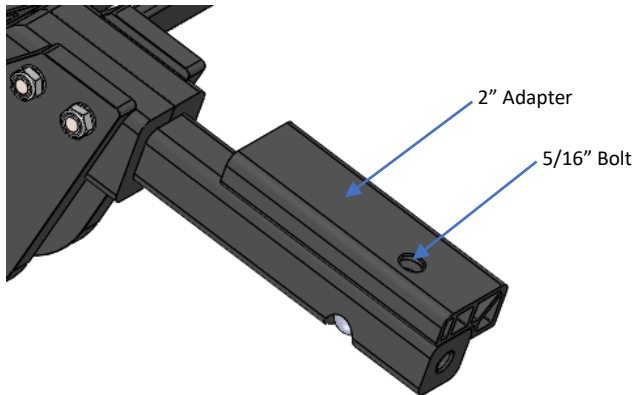


Rack Positions

- Storage - traveling with no bicycles.
- Extra Clearance position - traveling with no bicycles, but a large bumper or tire blocks storage position.
- Load Bikes - transport bikes.
- Rear Access - tailgate or trunk accessible with bikes on.

Note: In rear access position, Black Bar will not lock into place. Not for transporting.

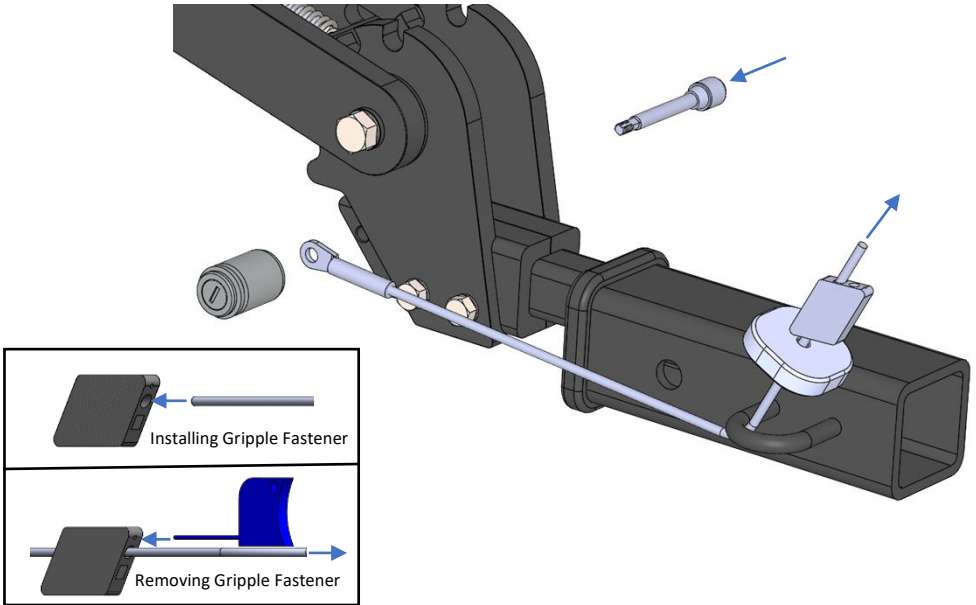
2" Hitch Adapter



- If receiver on vehicle is 1.25", remove installed 2" Hitch Adapter with supplied Multi Tool.

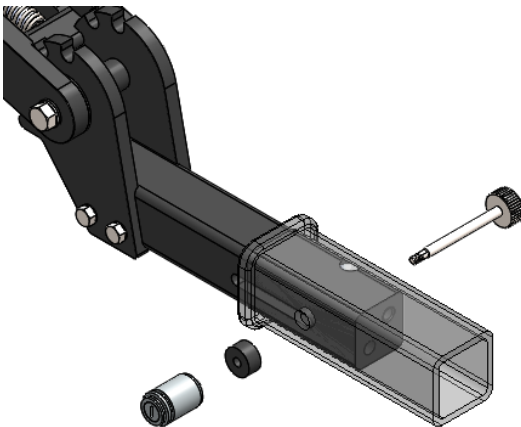
Rack to Receiver Cable and Lock (1.25" Models)

- Thread Cable Assembly through receiver chain loop (shown below).
- Slide Locking Pin through Hitch Bar lock hole.
- Once Hitch Pin Lock is through Rack, place Cable Assembly Eyelet on Pin followed by Lock Head.
- Apply Lock Head to threaded end of Locking Pin. Key must be inserted and turned to thread Lock Head into position.



- Take slack out of Cable Assembly by pulling cable through Gripper Fastener

Through Hitch Lock (2" Models)

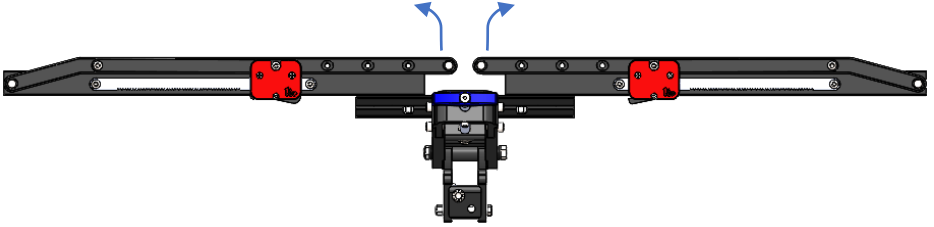


- Slide Hitch Pin through receiver pin hole and Slotted Hitch Bar.
- Install Plastic Washer and Lock Head to threaded end of Locking Pin. Key must be inserted and turned to thread Lock Head into position.

Loading Bikes

- Repeat loading process on both driver and passenger side.
- Depress Bar Slide Button while pulling up on Bent Arm.

Note: Do not move Bent Arms up without depressing Bar Slide Button.



- Set bike on Trays in desired position.
- Pivot Bent Arms down to tires firmly.

Note: When loading multiple bikes, stagger them to avoid seat and handlebar interference.

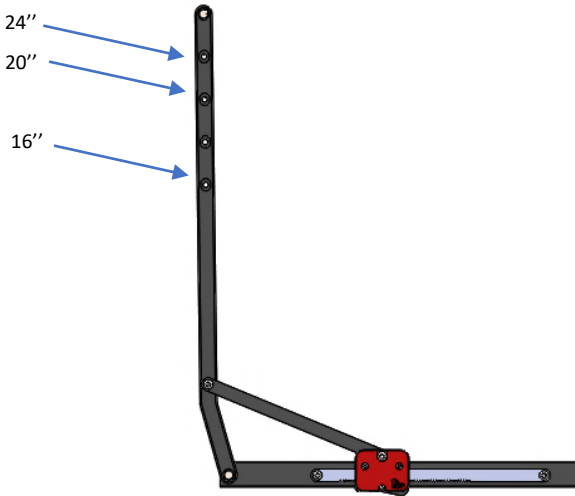


Unloading Bikes

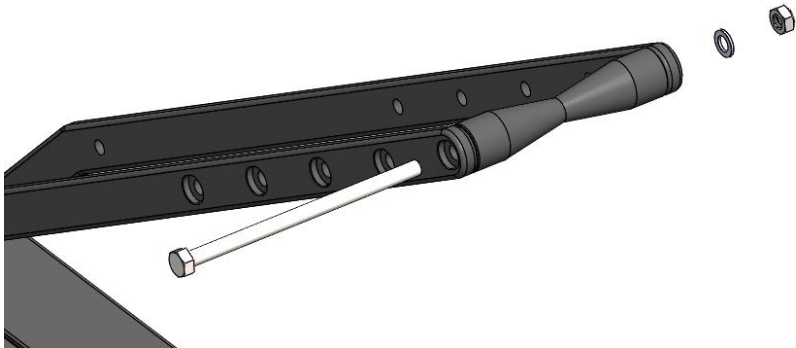
- Repeat unloading process on both driver and passenger side.
- Compress Bent Arm/Spool into tire slightly while depressing Bar Slide Button. This relieves pressure and allows Bar Slide to easily unlock.
- Pivot Bent Arm from bike to unload.

Wheel Settings

- The Rack is set to hold 26", 27.5", 29", or 700-C wheels. If bike tires are smaller, see instructions below to adjust spools accordingly.



- With a ½" wrench, remove hex nut and washer.
- Slide bolt out of spools and re-assemble spools in desired wheel position, firmly tightening hex nut.



Additional Instructions

- Tighten Hitch Bolt periodically.
- Remove Rack from receiver at least every two weeks and clean receiver so Rack does not seize in receiver.
- Remove road debris off nuts and bolts to prevent corrosion.
- Inspect hardware on Rack periodically to ensure proper working conditions.
- Certain car wash chemicals may damage Rack finish. Please use caution when cleaning vehicle and/ or Rack.

Questions or comments? Contact our support team via email at email@1up-usa.com