



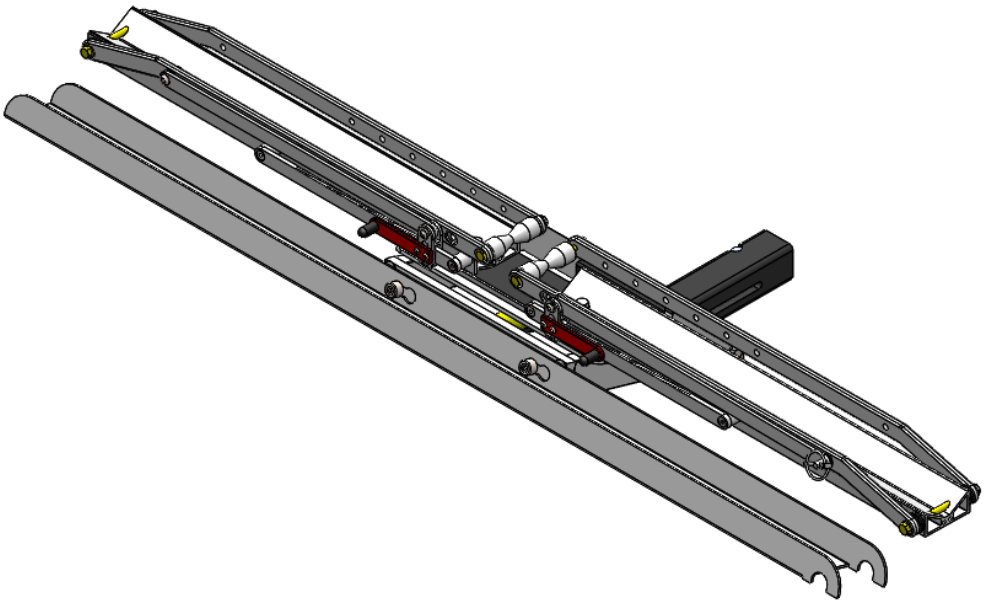
## SD Ramp Manual

### In the Box:

- (1) – Ramp
- (2) – Security Bolt
- (1) – 5/16-18 x 5” Hex Bolt
- (2) – 1” OD x .125” Thick Black Spacer
- (1) – 5/16-18 Jam Nylok Nut
- (1) – Clevis Pin
- (1) – Linch Pin
- (2) – 1” OD x .375” Thick Metal Spacer

### Required Tools:

- Security Wrench
- 1/2” Wrench
- 3/16” Allen Wrench



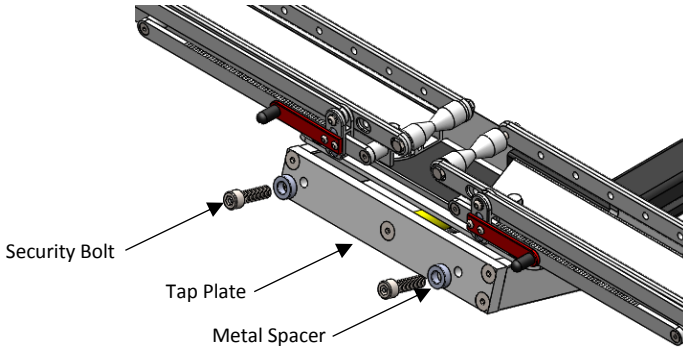
### Product Notes:

- Compatible with Quik Rack, Heavy Duty and Super Duty Racks.
- Unit can install on driver or passenger side tray.
- Base Rack Security Wrench required for assembly.

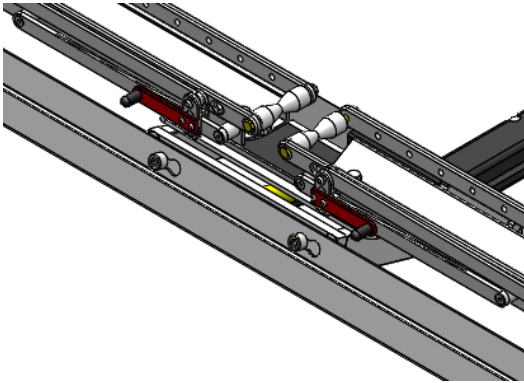
# Installation

## Step 1

Place a Metal Spacer on each Security Bolt.  
Start Security Bolts in Tap Plate threaded holes.

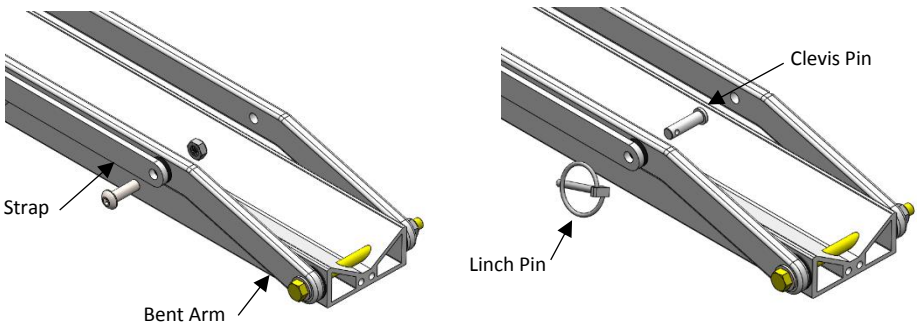


Place SD Ramp onto base rack by aligning keyhole slots with Security Bolts. Tighten Security Bolts.



## Step 2

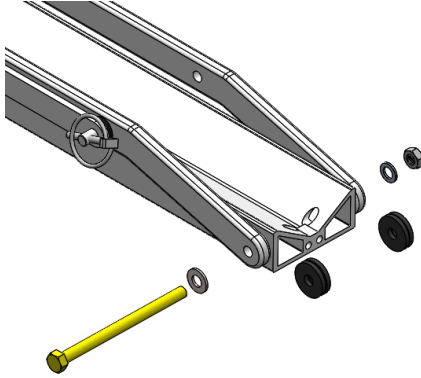
Remove nut and bolt holding Strap to Bent Arm.



Install Clevis Pin through Bent Arm, Spacer and Strap. Linch Pin goes through Clevis Pin securing it in place.

## Step 4

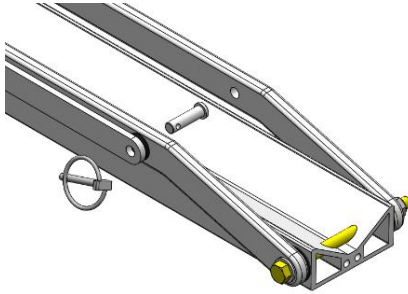
Remove 5/16-18 x 4.5" Hex Bolt from end of Tray. Install provided 5/16-18 x 5" Hex Bolt, existing washer and two Plastic Spacers on each side of Tray. Secure Bolt with provided Nylok Jam Nut and existing washer.



## Loading Ramp

### Step 1

Remove Linch Pin from Clevis Pin. Set both pins aside along with black spacer.



### Step 2

Rotate Bent Arms so Spool is down towards the ground. Ramp clips onto Plastic Spacers installed earlier.



### Step 3

Roll Bike up SD Ramp and onto Rack Trays. Use Bent Arm, opposite of ramp, to stabilize bike while loading.



### Step 4

Remove Ramp and install onto Tap Plate. Reinstall the Clevis Pin, Spacer, and Linch Pin (shown in Steps 1 and 3 above). Use rack as normal.



### **Additional Instructions**

- Remove road debris off nuts and bolts to prevent corrosion.
- Inspect hardware on Accessory periodically to ensure proper working conditions.
- Certain car wash chemicals may damage Accessory finish. Please use caution when cleaning vehicle and/or Accessory.

Questions or comments? Contact our support team via email at [email@1up-usa.com](mailto:email@1up-usa.com)