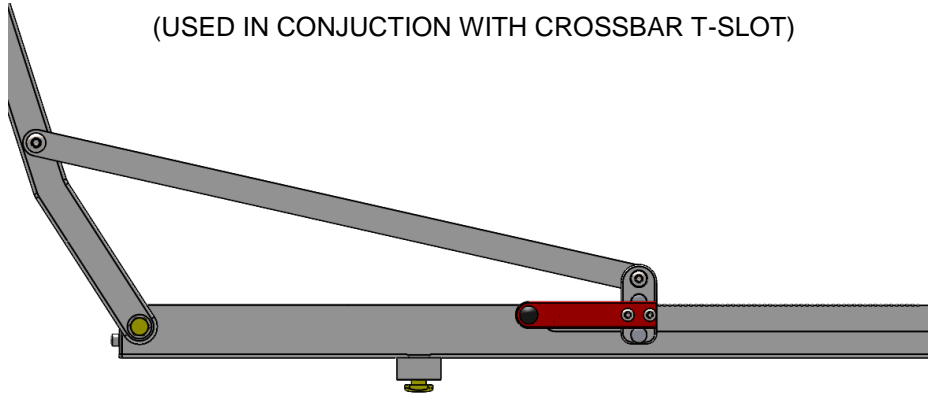
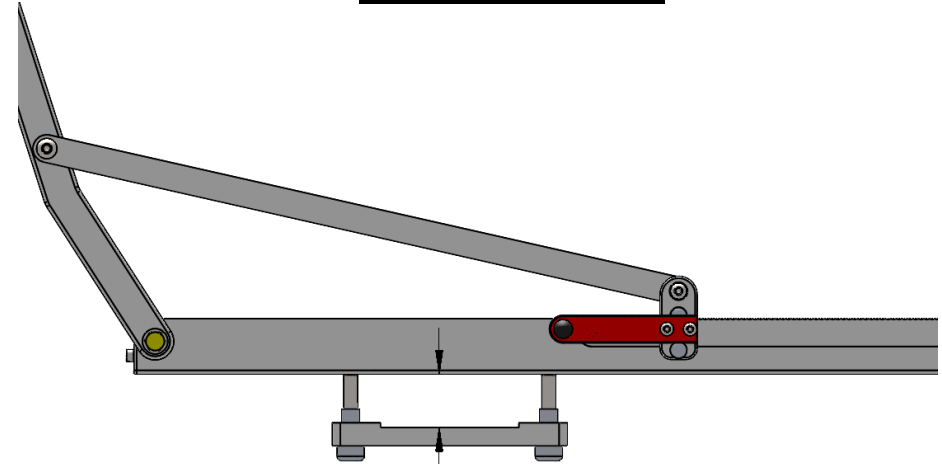


FLUSH MOUNT

(USED IN CONJUNCTION WITH CROSSBAR T-SLOT)



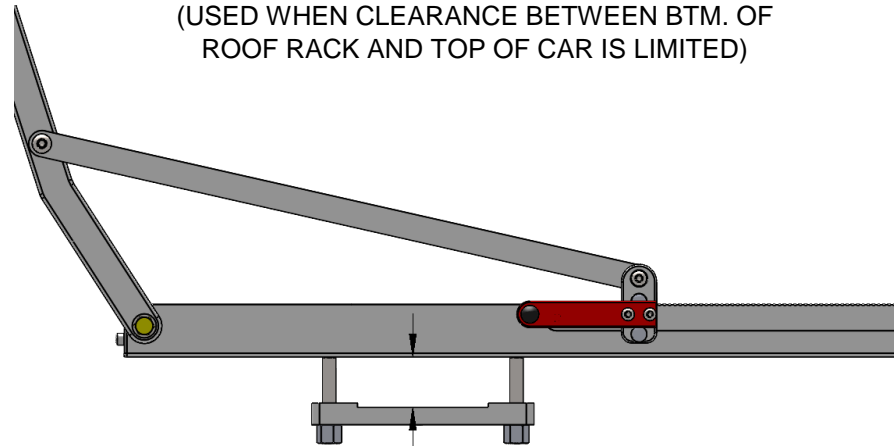
STANDARD MOUNT



CROSSBAR HEIGHT

LOW CLEARANCE MOUNT

(USED WHEN CLEARANCE BETWEEN BTM. OF ROOF RACK AND TOP OF CAR IS LIMITED)



CROSSBAR HEIGHT

MOUNTING OPTION	BOLT SIZE	CROSSBAR HEIGHT	INSTALLATION CLEARANCE REQUIRED BETWEEN BTM OF CROSSBAR AND TOP OF ROOF
FLUSH MOUNT	N/A	ALL HEIGHTS	T-SLOT REQUIRED
STANDARD MOUNT	1.0"	0.45" - 0.95"	≥ 1.70"
STANDARD MOUNT	1.5"	0.95" - 1.45"	≥ 1.70"
STANDARD MOUNT	2.0"	1.45" - 1.95"	≥ 1.70"
LOW CLEARANCE	2.0"	0.26" - 1.54"	≥ 1.20"