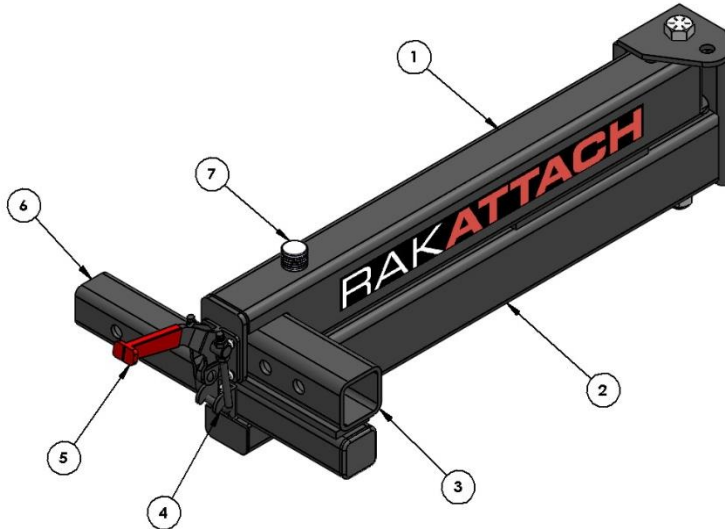


Parts List:

- | | |
|---------------|-----------------|
| 1) Top Arm | 5) Clamp |
| 2) Bottom Arm | 6) Shank |
| 3) Receiver | 7) Magnetic Pin |
| 4) Hook | |



In the Box:

- RakAttach
- Clamp & Hook
- (6) 5/16-18 Button Heads
- (6) 5/16 Lock Washers
- 3/16 Allen Wrench
- Anti-Wobble Bracket, Pin, Washer and Lock

Tools Required:

- 3/16" Allen Wrench (Included)
- 3/4" Wrench
- 1/2" Wrench

Product Notes:

- Available in Small, Medium or Large and Driver or Passenger swing.
- 275 lb weight limit.
- Fits 2" receivers.

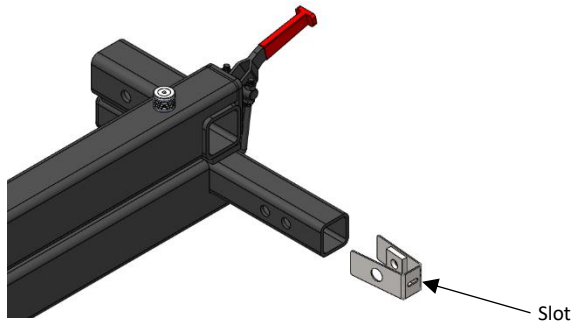
Step 1:

- Insert Magnetic Pin into Top Arm hole closest to RakAttach Receiver.



Step 2:

- Insert Anti-Wobble Bracket into RakAttach Shank. Pay attention to side of welded nut.
- Slot in bracket goes in last. Slot used for inserting flat head screwdriver to remove or adjust depth.



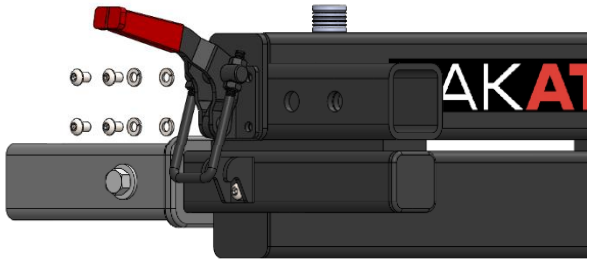
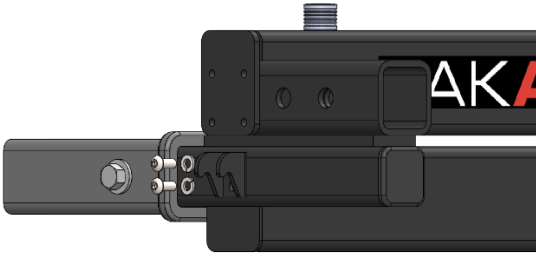
Step 3:

- Insert RakAttach Shank into vehicle receiver.
- Line up receiver hitch pin hole with Shank hole and Anti-Wobble Bracket. Insert and tighten supplied Hex Anti-Wobble Pin and Washer (same side as welded nut) using 3/4" wrench.



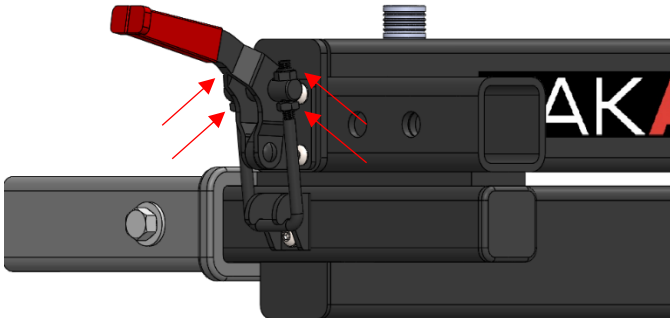
Step 4:

- Install Hook and Clamp using supplied 5/16 Button Heads, 5/16 Lock Washers and 3/16 Allen Wrench (Clamp Handle and U-Bolt may need to be rotated to install fasteners).



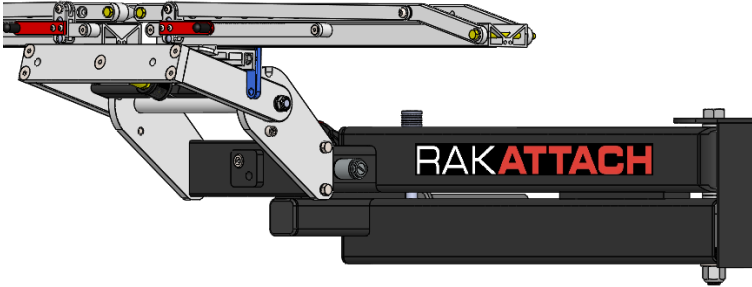
Step 5:

- Verify Clamp requires significant force to close. To adjust clamping force, use four locking nuts found on U-Bolt and 1/2" wrench.

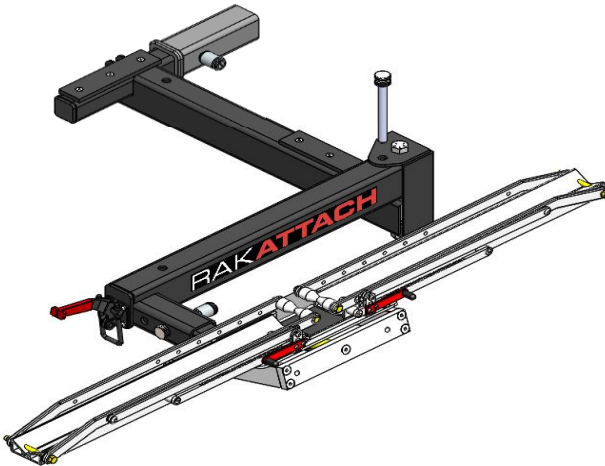


Using RakAttach

- Verify that RakAttach is installed properly.
- Install rack or accessory into RakAttach Receiver.
- Use one of two Hitch Pin holes in RakAttach Receiver if applicable.



- To position RakAttach to the 90-degree position, unlatch Clamp, pull Magnetic Pin and rotate out.
- Once in 90-degree position, install Magnetic Pin in Secondary Hole.



- Reverse steps above to return to closed position. Be sure that Magnetic Pin and Clamp are installed properly before transporting.

Additional Instructions

- Remove road debris off nuts and bolts to prevent corrosion.
- Inspect hardware on accessory periodically to ensure proper working conditions.
- Certain car wash chemicals may damage finish. Please use caution when cleaning vehicle and/ or accessory.

Questions or comments? Contact our support team via email at email@1up-usa.com