



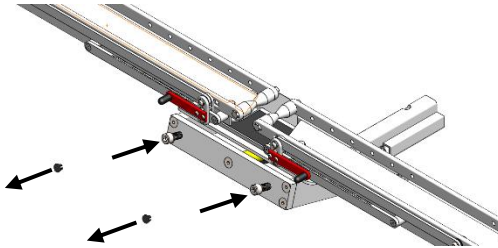
Installing Add-On

In The Box:

- 1UP USA Add-On
- 2 Security Bolts

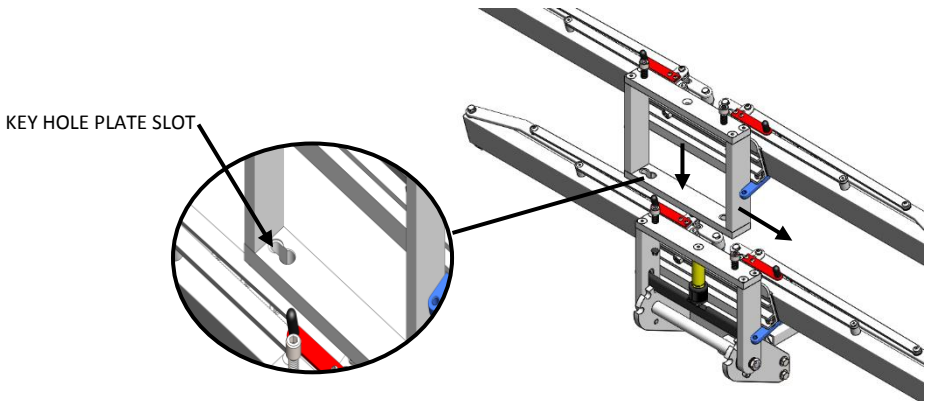
Step 1:

- Pivot the base rack into the Storage position (parallel to the rear of the car).
- Remove both plastic caps found in the Tap Plate of the base rack and partially thread in the two supplied Security Bolts.



Step 2:

- Place Add-On onto base rack by aligning Key Hole Plate slots with installed Security Bolts.
- Slide Add-On to the right engaging Security Bolts into narrow portion of Key Hole Plate slots.
- With base rack Security Wrench, tighten Security Bolts.

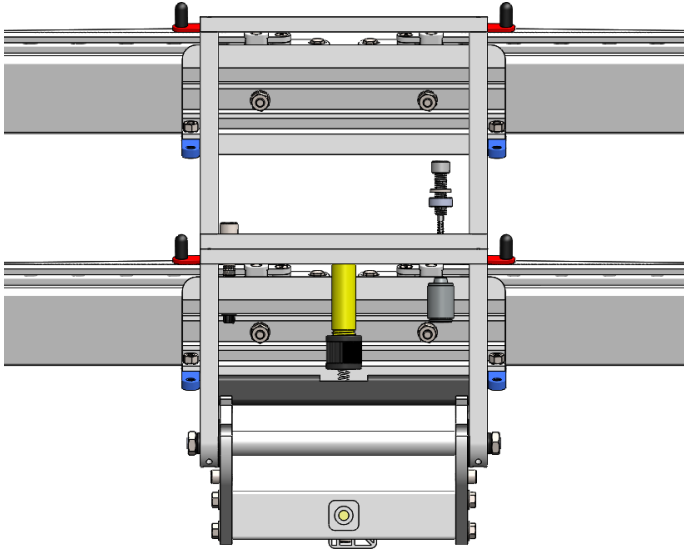


Note: Periodically tighten Security Bolts to insure secure connection.

Installing Add-On Lock (if applicable)

Not included with Add-On purchase (sold separately)

- If Add-On is already installed to base rack, remove right Security Bolt. If installing a new Add-On, Add-On Locking Bolt will be applied to the right threaded hole of the base rack Tap Plate.
- Slide locking washer and spacer over Add-On Locking Bolt and thread into Tap Plate hole.
- With base rack Security Wrench, tighten Add-On Locking Bolt.
- Apply Lock Head to threaded end of Add-On Locking Bolt. Key must be inserted and turned to thread Lock Head into position.



Note: Periodically tighten Security Bolts to insure secure connection.

Additional Instructions

- Wipe salt off of the nuts and bolts with a damp cloth to prevent corrosion.
- Check and retighten any hardware on the Add-On periodically to ensure proper working conditions.

Questions or comments? Contact our support team via email at email@1up-usa.com