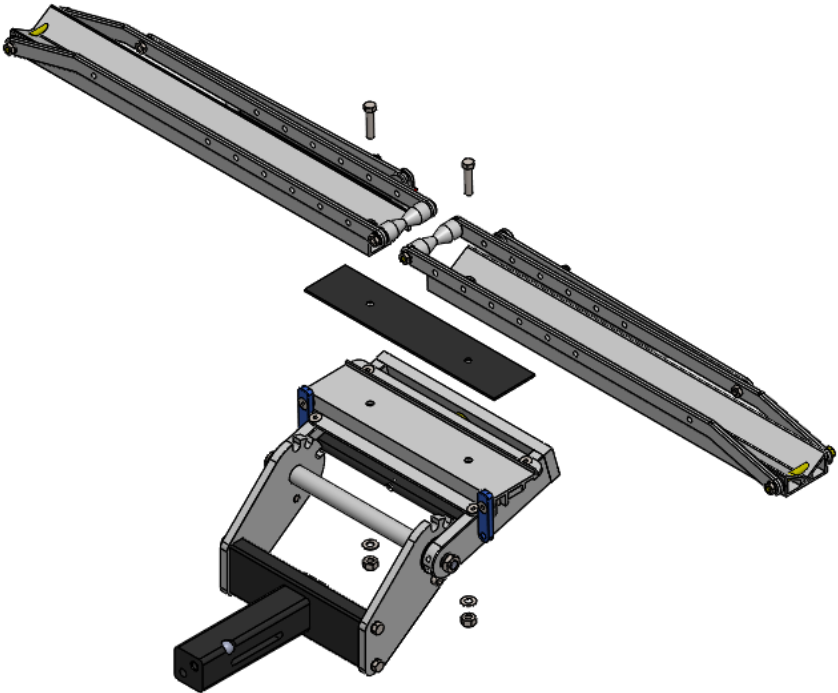


### Tools Required

- (1) 9/16" Wrench (not included)

### Installation

- Remove nuts and washers from bottom side of 15 Degree Plate.
- Remove Tray Assemblies.
- Install new Hitch Assembly with existing Tray Assemblies, supplied ABS Plastic Pad and hardware in same orintaion as original. Tighten hardware firmly.



### Additional Instructions

- Remove road debris off nuts and bolts to prevent corrosion.
- Inspect hardware on Rack periodically to ensure proper working conditions.
- Certain car wash chemicals may damage Rack finish. Please use caution when cleaning vehicle and/ or Rack.

Questions or comments? Contact our support team via email at [email@1up-usa.com](mailto:email@1up-usa.com)







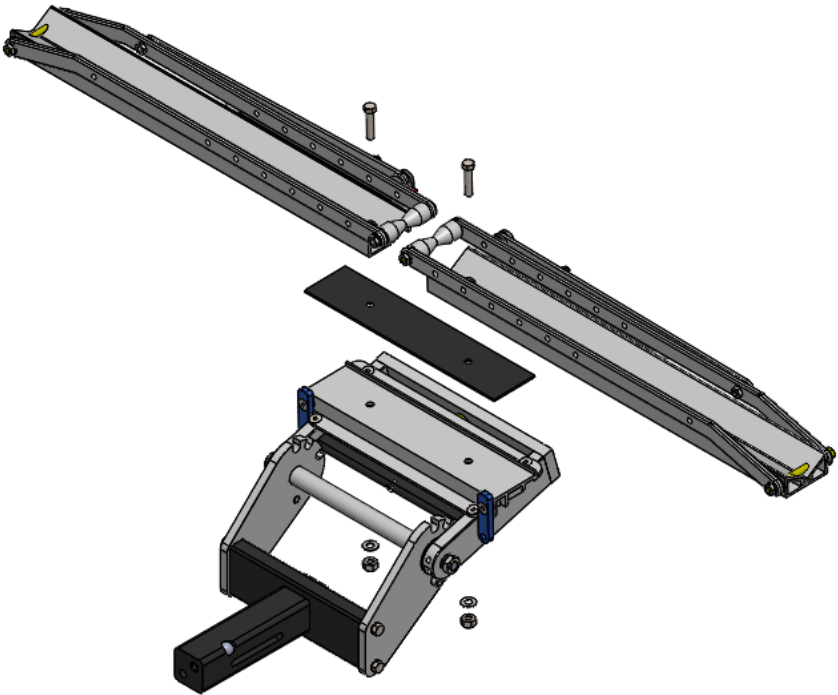
## Installing 2.00" Hitch Assembly

### Tools Required

- (1) 9/16" Wrench (not included)

### Installation

- Remove nuts and washers from bottom side of 15 Degree Plate.
- Remove Tray Assemblies.
- Install new Hitch Assembly with existing Tray Assemblies, supplied ABS Plastic Pad and hardware in same orintaion as original. Tighten hardware firmly.



### Additional Instructions

- Remove road debris off nuts and bolts to prevent corrosion.
- Inspect hardware on Rack periodically to ensure proper working conditions.
- Certain car wash chemicals may damage Rack finish. Please use caution when cleaning vehicle and/ or Rack.

Questions or comments? Contact our support team via email at [email@1up-usa.com](mailto:email@1up-usa.com)