

## Tools Needed:

- Two, ½" wrenches
- 3/16" Allen wrench

## Step 1:

- Be sure to pay attention to the order of pieces taken off your tray while disassembling.
- Begin by removing all hardware on both driver and passenger side trays, (see image 1).

Note: This includes the two bolts at both ends of the trays, and two button heads that hold your glide bar on.

## Step 2:

- Insert new provided hardware in the same order old hardware was removed.
- Move spacers noted in Image 1 to new location noted in Image 2
- Add new spacers between bent arms attached to the tray (Image 2)
- Add one extra spacer to each button head on the glide bar (Image 2)

Note: You will use the washers from your original tray.

Note: Bolt head will fit into cutout on Bent Arm.

## Step 3:

- As seen in image 2, the button head on your bent arms is to be flipped around to provide more space for your tire.

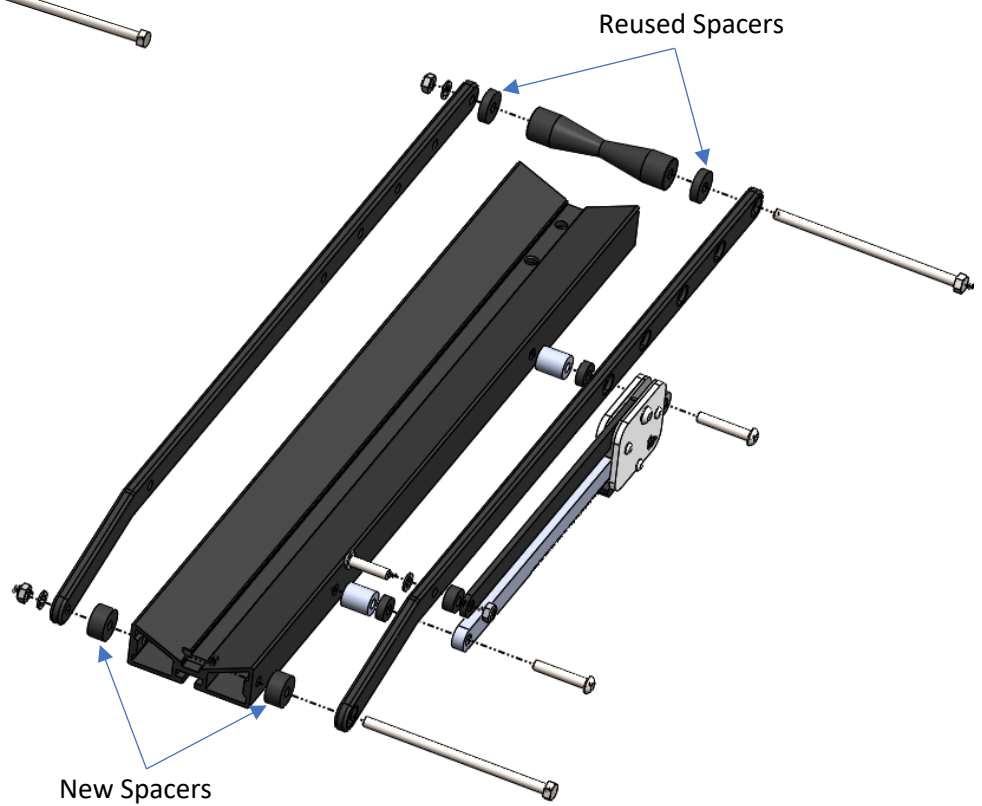
## Additional Information

- The Spacer Kit can take up to a 5" tire.

Image 1



Image 2



**WARRANTY**

All 1Up USA brand products include 100% lifetime warranty protection from factory defects or breakage under normal use.

Questions or comments? Contact our support team via email at [email@1up-usa.com](mailto:email@1up-usa.com)

1UP USA.com llc shipping information: PO Box 563, 1005 Commercial Drive Dickeyville, WI 53808.