



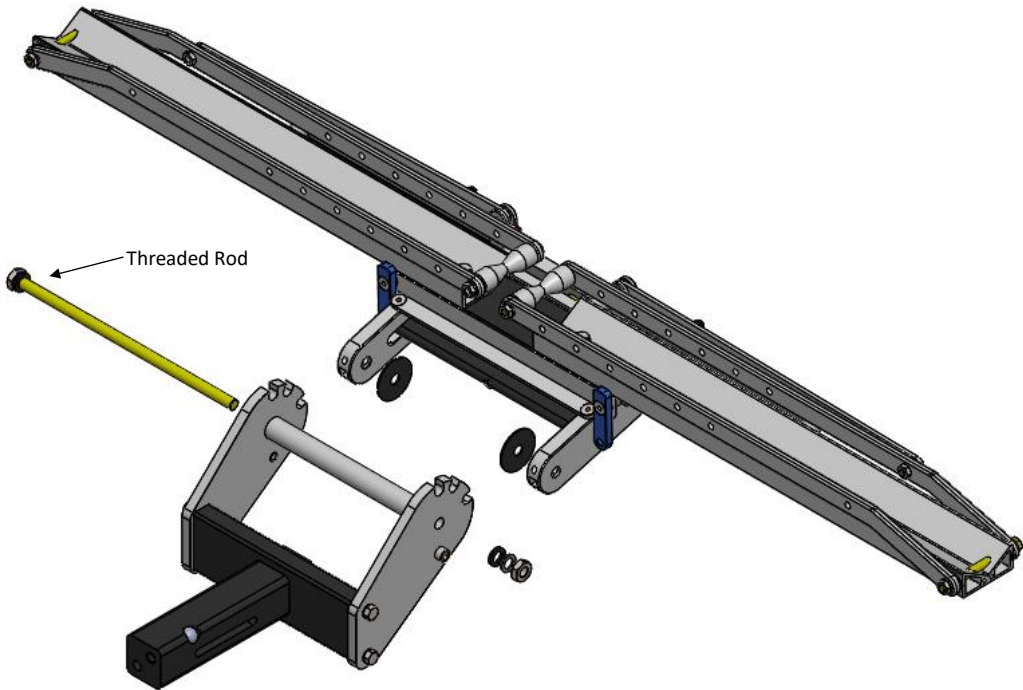
Installing 2" Hitch Bar with Side Plates

Tools Required

- (2) 3/4" Wrenches (not included)

Installation

- Remove nut and washer from Threaded Rod.
- Slide out Threaded Rod and remove Hitch Bar with Side Plates.
- Reinstall new Hitch Bar with Side Plates using supplied hardware in same orientation as original. Tighten hardware firmly.



Additional Instructions

- Remove road debris off nuts and bolts to prevent corrosion.
- Inspect hardware on Rack periodically to ensure proper working conditions.
- Certain car wash chemicals may damage Rack finish. Please use caution when cleaning vehicle and/ or Rack.

Questions or comments? Contact our support team via email at email@1up-usa.com



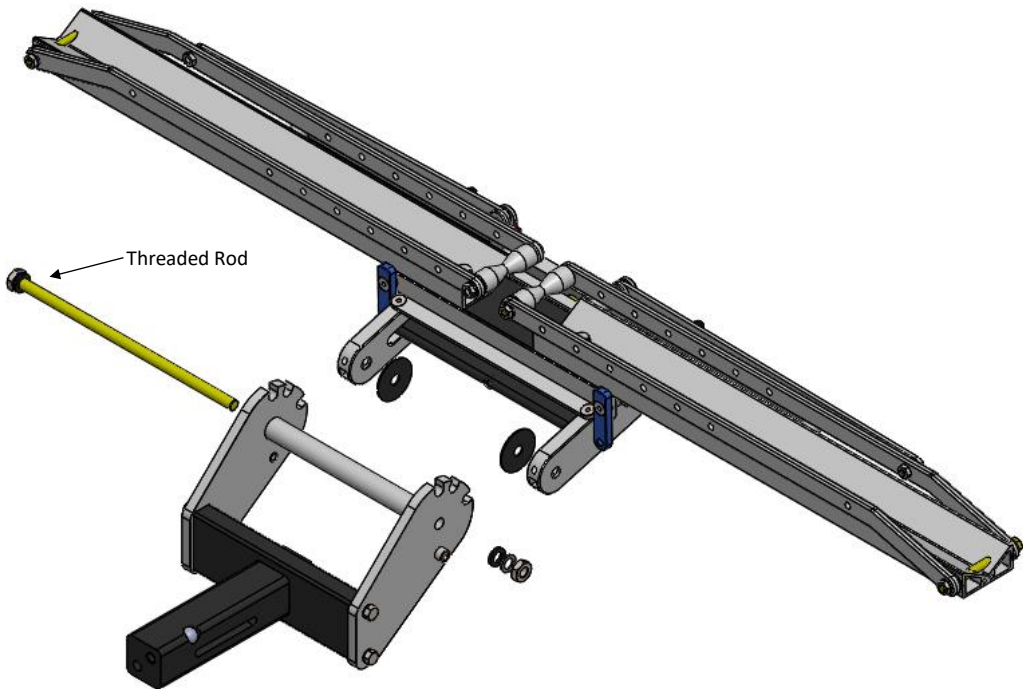
Installing 2" Hitch Bar with Side Plates

Tools Required

- (2) 3/4" Wrenches (not included)

Installation

- Remove nut and washer from Threaded Rod.
- Slide out Threaded Rod and remove Hitch Bar with Side Plates.
- Reinstall new Hitch Bar with Side Plates using supplied hardware in same orientation as original. Tighten hardware firmly.



Additional Instructions

- Remove road debris off nuts and bolts to prevent corrosion.
- Inspect hardware on Rack periodically to ensure proper working conditions.
- Certain car wash chemicals may damage Rack finish. Please use caution when cleaning vehicle and/ or Rack.

Questions or comments? Contact our support team via email at email@1up-usa.com